

Horizon MCS 130

5.1 Surround Speaker System

Español

Horizon MCS 130
Sistema de Altavoces
Surround 5.1

Italiano

Horizon MCS 130
Sistema surround 5.1

Deutsch

MCS 130
5.1 Surround
Lautsprechersystem

Français

Horizon MCS 130
Système de haut-parleurs
multimédia 5.1

Svenska

Horizon MCS 130
5.1 Surroundhögaltarsystem

IMPORTANT SAFETY INSTRUCTIONS



This symbol found on the apparatus indicates hazards arising from dangerous voltages.



This symbol found on the apparatus indicates the user should read all safety statements found in the user manual.



This symbol found on the apparatus indicates double insulation.

1. Read these instructions.
2. Keep these instructions.
3. Heed all warnings.
4. Follow all instructions.
5. Do not use this apparatus near water.
6. Clean only with dry cloth.
7. Do not block any ventilation openings. Install in accordance with the manufacturer's instructions.
8. Do not install near any heat sources such as radiators, heat registers, stoves, or other apparatus (including amplifiers) that produce heat.
9. Do not defeat the safety purpose of the polarized or grounding type plug. A polarized plug has two blades with one wider than the other. A grounding-type plug has two blades and a third grounding prong. The wide blade or the third prong is provided for your safety. If the provided plug does not fit into your outlet, consult an electrician for replacement of the obsolete outlet.
10. Protect the power cord from being walked on or pinched particularly at plugs, convenience receptacles, and the point where they exit from the apparatus.
11. Only use attachments/accessories specified by the manufacturer.
12. Unplug this apparatus during lightning storms or when unused for long periods of time.
13. Refer all servicing to qualified service personnel. Servicing is required when the apparatus has been damaged in any way, such as power-supply cord or plug is damaged, liquid has been spilled or objects have fallen into the apparatus, the apparatus has been exposed to rain or moisture, does not operate normally, or has been dropped.
14. Maintain a minimum distance of 2" (50mm) around the front, rear, and sides of the apparatus for sufficient ventilation. The ventilation should not be impeded by covering the ventilation openings or placing on or around the apparatus items such as newspapers, table-cloths, curtains, etc.
15. No open flame sources, such as lighted candles, should be placed on the apparatus.



WARNING! To reduce the risk of fire or electrical shock, do not expose this apparatus to rain or moisture.



This symbol found on the apparatus indicates that the apparatus must be placed in a separate collection facility for electronic waste and not disposed with household waste.

16. The apparatus shall not be exposed to dripping or splashing. No objects filled with liquids, such as vases, shall be placed on the apparatus.
17. Either the power inlet connector on the rear of the apparatus or the power plug at the wall must remain accessible, to be able to disconnect power from the apparatus.
18. To completely disconnect this apparatus from the AC Mains, disconnect the power supply cord plug from the AC receptacle.
19. The mains plug of the power supply cord shall remain readily operable.



American Users:

Note: This equipment has been tested and found to comply with the limits for a Class B digital device, pursuant to part 15 of the FCC Rules. These limits are designed to provide reasonable protection against harmful interference in a residential installation. This equipment generates, uses, and can radiate radio frequency energy and, if not installed and used in accordance with the instructions, may cause harmful interference to radio communications. However, there is no guarantee that interference will not occur in a particular installation. If this equipment does cause harmful interference to radio or television reception, which can be determined by turning the equipment off and on, the user is encouraged to try to correct the interference by one or more of the following measures:

- Reorient or relocate the receiving antenna.
- Increase the separation between the equipment and receiver.
- Connect the equipment into an outlet on a circuit different from that to which the receiver is connected.
- Consult the dealer or an experienced radio/TV technician for help.



Canadian Users

This class B digital apparatus complies with Canadian ICES-003. Cet appareil numérique de classe B est conforme à la norme NMB-003 du Canada.

Specifications	LCR Speakers	Surround Speakers	Powered Subwoofer
Frequency Response:	110Hz – 20kHz	120Hz – 20kHz	40 - 150Hz
Recommended Amplifier Power Range:	10 – 150 watts	10 – 150 watts	—
Sensitivity:	88dB [2.8v at 1m]	88dB [2.8v at 1m]	—
Nominal Impedance:	8 ohms	8 ohms	—
Crossover Frequency:	2,700Hz	2,700Hz	
Amplifier Output:	—	—	200 watts RMS; BassTrac® circuitry eliminates distortion
Woofers:	—	—	10" (254mm) DCD
Midrange:	Dual 3 1/2" (89mm) copolymer DCD with Phase Plugs and MagnaGuard®	3 1/2" (89mm) copolymer DCD with Phase Plugs and MagnaGuard	—
Tweeter:	1" (25mm) Kortec® Soft Dome	1" (25mm) Kortec Soft Dome	—
Dimensions: (H x W x D)	13 7/8 x 5 x 4 1/16" (352 x 127 x 103mm)	8 7/16 x 5 1/2 x 4" (214 x 140 x 102mm)	13 3/4 x 16 1/2 x 16 1/2" (349 x 419 x 419mm)
Weight:	5 lbs (2.27kg)	3 lbs (1.36kg)	31 1/4 lbs (14.15kg)

MCS 130 Introduction

Thank you for purchasing a Boston Acoustics Multi-Channel Speaker System. These speakers incorporate high-quality components that produce the famous Boston sound. The MCS 130 is ideally suited for use as a 5.1 channel solution in a high-quality home theater or music system. The MCS 130 is complete with everything you need for the typical speaker system including speaker wire, surround speakers, LCR (left, center and right), and a subwoofer. Please check out Bostonacoustics.com for information on placing your speakers.

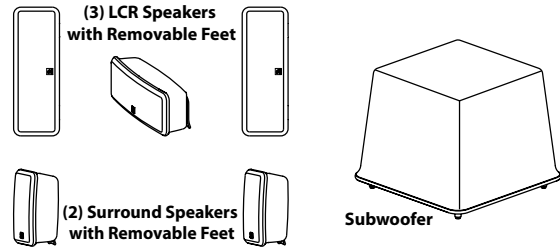
The MCS 130 speaker system delivers exceptionally articulate on-screen dialog, music, effects, and room filling bass from a small, sleek package. Compact driver placement and quality, system-specific crossovers assure a wide uniform dispersion for complete coverage of a listening room. All speakers also feature MagnaGuard® magnetic shielding which ensures the speaker's magnetic field does not interfere with the television's picture.

Unpacking the System

Carefully unpack the system. If there is any sign of damage from transit, report it immediately to your dealer and/or delivery service. Keep the shipping carton and packing materials for future use.

Open the package and verify the following contents:

- (3) LCR (left, center, right) speakers
- (2) Surround speakers
- (1) Subwoofer
- (2) 40' (12m) speaker wires
- (3) 15' (4.6m) speaker wires
- (1) 15' (4.6m) subwoofer cable
- (2) Feet (for use with LCR speaker's horizontal use)
- (2) Thumb screws
- (4) Rubber bumpers (used for wall mounting)



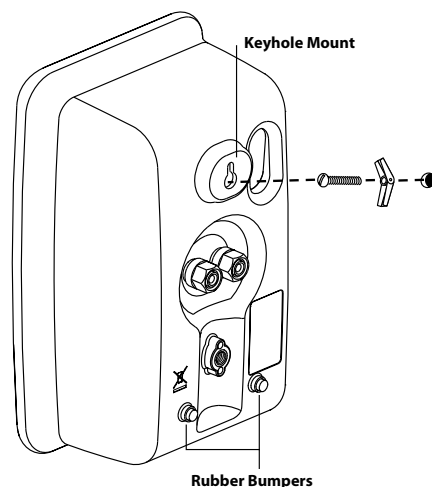
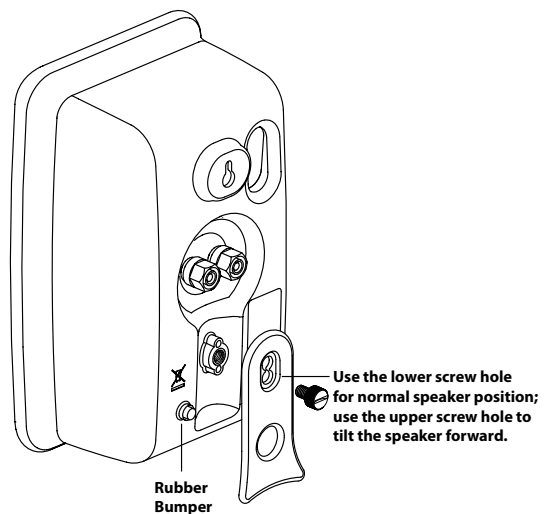
Placement Options

The MCS 130 LCR and surround speakers are easily placed on a tabletop or wall-mounted. The speakers are configured for tabletop use when you first unpack the system. Two LCR speakers will have one foot installed that will keep your speaker level when used in the vertical position. The other LCR speaker will have 2 feet installed for horizontal use as the center speaker. There are 2 sets of holes on each foot; by using the upper of the two holes, the speakers will have a slight forward angle for use on a high shelf. When the feet on the back of your speakers are removed, the speakers are easy to wall-mount.

The MCS 130 LCR and surround speakers are designed to easily mount on the wall using the keyhole slot(s) on the back of the speaker. When mounting the speakers to the wall, use the supplied rubber bumpers. You must remove the attached foot to wall-mount your speakers. Remove the thumbscrew from the back of the foot. It is slotted for easy removal with a screwdriver or a coin.

The keyhole mounting option is similar to hanging a picture frame on a wall. Install a #8 screw (not included) into the sheetrock, making sure to go into a stud, and hang the speaker onto the screw head. If a stud is not available, a sheetrock anchor should be used to support the weight of the speaker. It is advisable to connect the speaker wire prior to wall-mounting.

NOTE: Because there are so many different kinds of surfaces on which the speakers could be mounted. There is no one type of fastener that we could supply that would work in all the possible situations. So taking into account the surface the speaker is being mounted on, acquire the appropriate type of fasteners. If you're not sure what type of fastener to use, take the mounting bracket to a friendly hardware store, tell them about the wall you're mounting the speaker on, and ask them to recommend an appropriate fastener. Keep in mind the weight of the speaker.



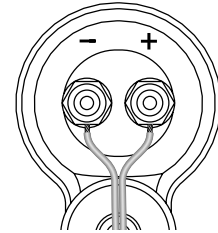
Speaker Connections

After your speakers are properly placed, you are ready to wire your system. First, turn off all system power. Use the speaker wire include with the system to make your connections. Please see the illustration below for guidance connecting the wires to the MCS 130 satellites and center channel.

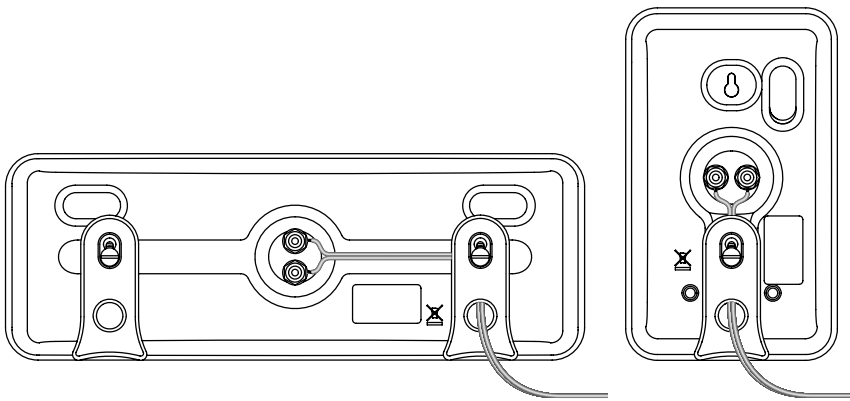
For connection to your receiver please refer to its owner's manual.

Important!

To ensure the best performance observe polarities when making speaker connections, as shown in the illustration. Connect each + terminal on the back of the amplifier or receiver to the respective + (red) terminal on each speaker. Connect the - (black) terminals in the same way. If the connections are not made correctly it can cause poor bass response and imaging. Also, to avoid short circuits that may damage your equipment be careful not to let any of the bare wires touch each other.



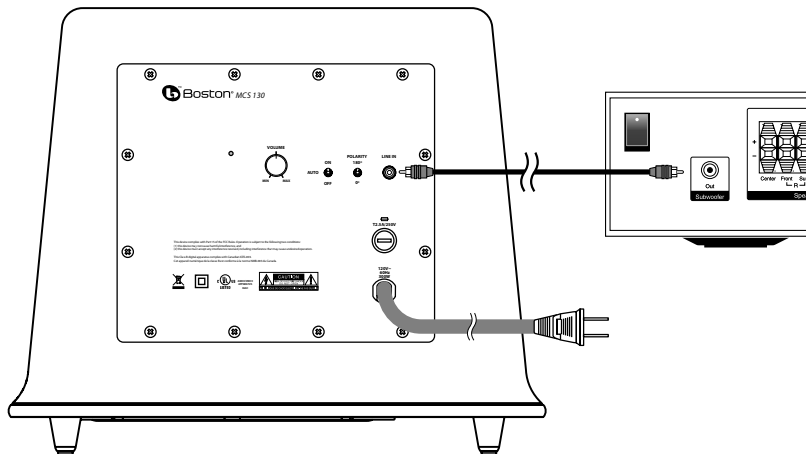
Be sure to maintain proper + and - polarity at all speaker wire connections.



Speaker wires can be routed through the channels on the back of the speaker and the holes in the feet.

Subwoofer Connections

Turn off all power. Use the subwoofer cable included with your system to connect the subwoofer to your receiver's Subwoofer or LFE output. Connect the other end to the "Line In" on the back of the Subwoofer.



Subwoofer Controls

Power On/Auto/Standby

Plug the subwoofer AC cord into a wall outlet. We do not recommend using the outlets on the back of the receiver. Set the power switch to the desired setting.

OFF – The subwoofer is off and will not produce any sound. You may want to turn your subwoofer off if you will not be using it for some time or wish to conserve electricity.

AUTO – The subwoofer will power on whenever a signal is detected. If no signal is detected after several minutes, it will automatically enter the Standby mode.

ON – The subwoofer is always on.

An LED indicator next to the volume control indicates what mode the subwoofer is in.

OFF = The subwoofer is off

RED = STANDBY (No signal detected, Amp Off)

GREEN = ON (Signal detected, Amp On)

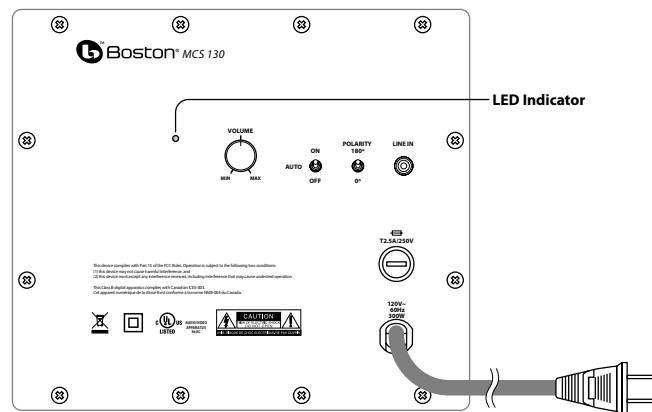
The subwoofer will automatically enter the Standby mode after several minutes when no signal is detected from your system. The subwoofer will then power ON instantly when a signal is detected.

Volume Control

Begin by adjusting the Subwoofer Volume Control to the 11 o'clock position. Further adjust the Subwoofer Volume Control until you hear a match in volume between the main speakers and subwoofer. Ideally, bass response should not overpower the room but rather be adjusted so there is a natural blend across the entire musical range.

Polarity Control

Selects regular (0°) or inverted (180°) polarity for the subwoofer. Set this switch to the position that provides the fullest, most dynamic bass when auditioned from the primary seating position. The effect of polarity will be most audible on low-frequency percussion instruments or music with a continuously repeating bass line, and may not produce a dramatic change at all.



Operation

When using the MCS 130 in a Dolby® Digital or DTS™ home theater system, make sure all speakers are set to “Small”. When using the system in a Dolby Pro Logic® home theater system, make sure the receiver’s center channel mode is set to “Normal.”

Some receivers/processors offer different setup options for each source or surround mode (e.g., CD-stereo, videotape, Dolby Digital, Dolby Pro Logic). In each case, follow your equipment’s instructions to ensure that the subwoofer output is turned on and that the speakers are set to “Small” in each mode.

If your receiver has adjustable crossover settings, we recommend the subwoofer crossover be set at 120Hz.

Refer to the owner’s manual for your AV receiver for any additional recommendations on system operation.

Maintenance and Service

All wiring connections should be inspected and cleaned or remade at least once a year.

If a problem does occur, make sure that all connections are properly made, secure and clean. If a problem occurs in one loud-speaker, rewire that speaker in a different location within the system. Should the problem persist in this speaker the problem is within the speaker. If the speaker sounds fine in the new position it is a strong indication of a more in depth issue with the electronics in the system. In the event that your MCS 130 ever needs service, contact your local Boston Acoustics dealer or visit www.bostona.com for a list of dealers in your area.

If your subwoofer does not play, check that all the connectors on the cables are making proper contact and that the AC plug connected to a "live" receptacle.

Limited Warranty

Boston Acoustics warrants to the original purchaser of our MCS 130 system that it will be free of defects in materials and workmanship in its mechanical parts for a period of 5 years from the date of purchase. The warranty period for the electrical components of MCS 130 is 1 year.

Your responsibilities are to install and use them according to the instructions supplied, to provide safe and secure transportation to an authorized Boston Acoustics service representative, and to present proof of purchase in the form of your sales slip when requesting service.

Excluded from this warranty is damage that results from abuse, misuse, improper installation, accidents, shipping, or repairs/modifications by anyone other than an authorized Boston Acoustics service representative.

This warranty is limited to the Boston Acoustics product and does not cover damage to any associated equipment. This warranty does not cover the cost of removal or reinstallation. This warranty is void if the serial number has been removed or defaced. This warranty gives you specific legal rights, and you may also have other rights which vary from state to state.

If Service Seems Necessary

First, contact the dealer from whom you purchased the product. If that is not possible, write to:

Boston Acoustics, Inc.
300 Jubilee Drive
Peabody, MA 01960 USA

Or contact us via e-mail at:

support@bostona.com

We will promptly advise you of what action to take. If it is necessary to return your MCS 130 to the factory, please ship it prepaid. After it has been repaired, we will return it freight prepaid in the United States and Canada.



For EU Customers Only

This symbol found on the product indicates that the product must not be disposed of with household waste. Instead, it may be placed in a separate collection facility for electronic waste or returned to a retailer when purchasing similar product. The producer paid to recycle this product. Doing this contributes to reuse and recycling, minimizes adverse effects on the environment and human health and avoids any fines for incorrect disposal.

Boston Acoustics continually strives to update and improve its products. The specifications and construction details are subject to change without notice.

INSTRUCCIONES DE SEGURIDAD IMPORTANTES



Este símbolo que aparece en el aparato indica riesgos derivados de voltajes peligrosos.



Este símbolo que aparece en el aparato indica que el usuario debe leer todas las declaraciones de seguridad que aparecen en el manual del usuario.



Este símbolo que aparece en el aparato indica la presencia de un doble aislamiento.

1. Lea estas instrucciones.
2. Conserve estas instrucciones.
3. Haga caso de todas las advertencias.
4. Siga todas las instrucciones.
5. No utilice este aparato cerca del agua.
6. Límpielo sólo con un trapo seco.
7. No tapone ninguna apertura de ventilación. Instálelo de acuerdo con las instrucciones del fabricante.
8. No lo instale cerca de ninguna fuente de calor, tales como radiadores, rejillas de calefacción, estufas u otros aparatos (incluidos amplificadores) que produzcan calor.
9. No anule el propósito de seguridad del enchufe polarizado o del tipo puesta a tierra. Un enchufe polarizado tiene dos púas con una de ellas más ancha que la otra. Un enchufe del tipo puesta a tierra tiene dos púas y una tercera púa de puesta a tierra. La púa ancha o la tercera púa se proporciona para su seguridad. Si el enchufe que se suministra no encaja en su toma de pared, consulte con un electricista para que sustituya la toma de pared obsoleta.
10. Proteja el cable de alimentación para evitar que sea pisado o quede pinzado, en particular en los enchufes, las tomas de corriente, y en el punto en el cual sale del aparato.
11. Utilice sólo las conexiones/accesorios especificados por el fabricante.
12. Desenchufe este aparato durante las tormentas eléctricas o cuando no vaya a utilizarse durante largos periodos de tiempo.
13. Remita todo el servicio al personal de servicio cualificado. Se requiere servicio cuando el aparato ha sido dañado de algún modo, por ejemplo si el cable de alimentación o el enchufe están dañados, si se ha vertido líquido o han caído objetos dentro del aparato, si el aparato se ha expuesto a la lluvia o a la humedad, si no funciona normalmente, o se ha caído.
14. Mantenga una distancia mínima de 50 mm alrededor de la parte delantera, trasera y de los laterales del aparato para tener una ventilación suficiente. La ventilación no debe quedar obstruida mediante la cobertura de las aperturas de ventilación o la colocación sobre o alrededor del aparato de elementos tales como periódicos, tapetes, cortinas, etc.
15. No deben colocarse sobre el aparato fuentes de llamas desnudas, tales como velas encendidas.
16. No debe exponerse el aparato a goteo o a salpicaduras. No deben colocarse sobre el aparato objetos llenos de líquidos, tales como jarrones.
17. Tanto el conector de entrada de energía de la parte trasera del aparato como el enchufe de pared deben ser accesibles, para



¡ADVERTENCIA! Para reducir el riesgo de incendio o de descarga eléctrica, no exponga este aparato a la lluvia o a la humedad.



Este símbolo que aparece en el aparato indica que el aparato debe colocarse en un punto de recogida separada para desechos electrónicos y que no debe desecharse con la basura doméstica.

18. Para desconectar completamente este aparato de la red de CA, desconecte el enchufe del cable de alimentación de la toma de CA.
19. La toma de red del cable de alimentación debe tener siempre un fácil acceso.



Usuarios Americanos:

Nota: Este equipo ha sido probado y ha demostrado cumplir los límites de un dispositivo digital de Clase B, según el apartado 15 de las Normas FCC. Estos límites han sido diseñados para proporcionar una protección razonable contra interferencias nocivas en una instalación doméstica. Este equipo genera, utiliza y puede radiar energía de radio frecuencia y, si no se instala y utiliza de acuerdo con las instrucciones, puede causar interferencias nocivas a las radiocomunicaciones. Sin embargo, no hay garantía de que no se producirá esta interferencia en una instalación en particular. Si este equipo causa interferencias nocivas a la recepción de radio o televisión, lo que puede determinarse apagando y encendiendo el equipo, se aconseja que el usuario trate de corregir la interferencia mediante una o más de las siguientes medidas:

- Reoriente o recolocque de la antena receptora.
- Aumente la separación entre el equipo y el receptor.
- Conecte el equipo en una toma de un circuito diferente al cual está conectado el receptor.
- Consulte con el distribuidor o un técnico de radio/TV experimentado para obtener ayuda.



Usuarios Canadienses

Este aparato digital de clase B cumple con Canadian ICES-003. Este aparato digital de clase B cumple la norma NMB-003 del Canadá.

Especificaciones	Altavoces LCR	Altavoces Surround	Subwoofer Incorporado
Respuesta de Frecuencia:	110Hz – 20kHz	120Hz – 20kHz	40 - 150Hz
Gama de Potencia Recomendada del Amplificador:	10 – 150 vatios	10 – 150 vatios	—
Sensibilidad:	88dB [2.8v at 1m]	88dB [2.8v at 1m]	—
Impedancia Nominal:	8 ohms	8 ohms	—
Frecuencia de Cruce:	2,700Hz	2,700Hz	
Salida del Amplificador:	—	—	200 vatios RMS; los circuitos BassTrac® eliminan la distorsión
Woofers:	—	—	10" (254mm) DCD
Gama de medios:	DCD de copolímero dual de 3 1/2" (89 mm) con Tomas de Fase y MagnaGuard®	DCD de copolímero dual de 3 1/2" (89 mm) con Tomas de Fase y MagnaGuard	—
Tweeters:	Domo Blando de Kortec® de 1" (25 mm)	Domo Blando de Kortec® de 1" (25 mm)	—
Dimensiones: (Al x An x P)	13 7/8 x 5 x 4 1/16" (352 x 127 x 103mm)	8 7/16 x 5 1/2 x 4" (214 x 140 x 102mm)	13 3/4 x 16 1/2 x 16 1/2" (349 x 419 x 419mm)
Peso:	5 lbs (2.27kg)	3 lbs (1.36kg)	31 1/4 lbs (14.15kg)

Introducción al MCS 130

Gracias por comprar un Sistema de Altavoces Multicanal de Boston Acoustics. Estos altavoces incorporan componentes de alta calidad que crean el famoso sonido Boston. El MCS 130 se adapta idealmente para una utilización como una solución de canales 5.1 en un cine en casa o en un sistema musical de alta calidad. El MCS 130 se completa con todo lo que pueda necesitar para el sistema típico de altavoces, incluyendo cable para altavoces, altavoces surround, altavoces LCR (izquierdo, central y derecho), y un subwoofer. Consulte en [Bostonacoustics.com\placement](http://Bostonacoustics.com/placement) la información sobre la colocación de sus altavoces.

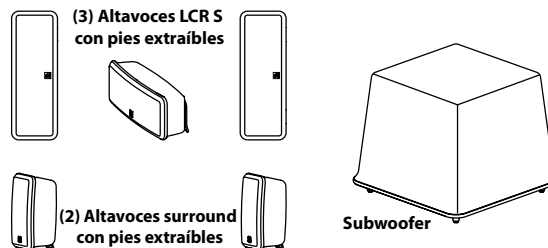
El sistema de altavoces MCS 130 presenta un diálogo en pantalla excepcionalmente articulado, música, efectos y graves envolventes en un conjunto pequeño y elegante. La colocación compacta de cada altavoz y las frecuencias de cruce de calidad y específicas del sistema aseguran una amplia dispersión uniforme para una cobertura total de la sala de escucha. Todos los altavoces presentan también el blindaje magnético MagnaGuard® que asegura que el campo magnético del altavoz no interfiera con las imágenes de televisión.

Desembalaje del Sistema

Desembale cuidadosamente el sistema. Si hay alguna señal de daños debidos al transporte, informe de ello inmediatamente a su distribuidor y/o a su servicio de entrega. Conserve el cartón de envío y los materiales de embalaje para una futura utilización.

Abra el paquete y verifique que contiene los siguientes elementos:

- (3) Altavoces LCR (izquierdo, central, derecho)**
- (2) Altavoces surround**
- (1) Subwoofer**
- (2) Cables de altavoz de 40" (12 m)**
- (3) Cables de altavoz de 15" (4,6 m)**
- (1) Cables de subwoofer de 15" (4,6 m)**
- (2) Pies (para utilización en caso de utilización de los altavoces LCR)**
- (4) Amortiguadores de caucho (utilizados en el montaje mural)**



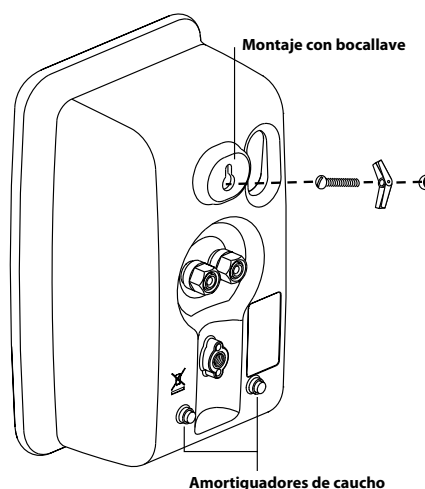
Opciones de Colocación

Los altavoces LCR y surround del MCS 130 son fáciles de situar en sobremesa o en montaje mural. Los altavoces están configurados para ser utilizados en sobremesa al desembalar por primera vez el sistema. Dos altavoces LCR tendrán montado un pie que lo mantendrá nivelado cuando se utilice en posición vertical. El otro altavoz LCR tendrá montados 2 pies para su utilización como altavoz central. Hay dos grupos de orificios en cada pie; si se utiliza el orificio superior, los altavoces tendrán un ligero ángulo hacia delante para su utilización en un estante elevado. Si se retiran los pies de la parte trasera de los altavoces, éstos son fáciles de montar en la pared.

Los altavoces LCR y surround del MCS 130 están diseñados para un fácil montaje mural utilizando la(s) ranura(s) de bocallave de la parte trasera del altavoz. Al montar los altavoces en la pared utilice los amortiguadores de caucho suministrados. Para el montaje mural de los altavoces debe retirar el pie que está sujeto a los mismos. Retire el tornillo de palometa de la parte trasera del pie. Está ranurado para poder retirarlo fácilmente con un destornillador o una moneda.

La opción de montaje con bocallave es similar al proceso de colgado de un cuadro en una pared. Monte un tornillo #8 (no incluido) en la tablaroca, asegurándose de que entre en un pasador, y cuelgue el altavoz de la cabeza del tornillo. Si no se dispone de pasador, debe utilizarse un anclaje de tablaroca para aguantar el peso del altavoz. Es aconsejable conectar el cable del altavoz antes del montaje mural.

NOTA: Debido a que existen muchos tipos diferentes de superficies en las cuales pueden montarse los altavoces, no hay ningún tipo de sujeción que podamos suministrar que funcione en todas las situaciones posibles. Por lo tanto, compre el tipo de sujeción apropiado teniendo en cuenta la superficie en la cual se va a montar el altavoz. Si no está seguro del tipo de sujeción que debe utilizar, lleve el soporte de montaje a una ferretería de confianza, hábleles de la pared en la cual va a montar el altavoz, y pídale que le recomienden una sujeción apropiada. Tenga en cuenta el peso del altavoz.



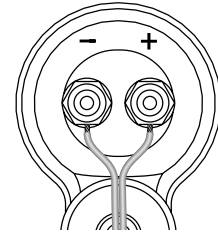
Conexiones del Altavoz

Después de que los altavoces estén colocados adecuadamente, está preparado para cablear su sistema. Primero, apague la energía del sistema. Utilice el cable de altavoz incluido en el sistema para realizar las conexiones. Utilice la ilustración siguiente como guía sobre la conexión de los cables a los satélites y al canal central del MCS 130

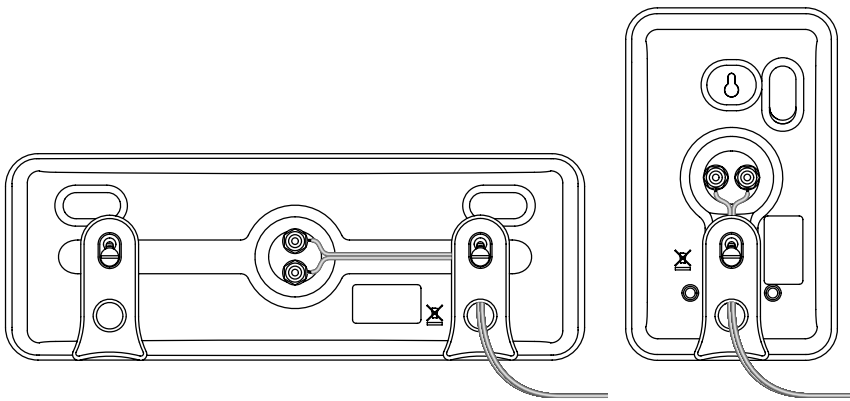
Para la conexión de su receptor, consulte su manual de usuario.

¡Importante!

Para asegurar el mejor rendimiento observe las polaridades al realizar las conexiones del altavoz, como se muestra en la ilustración. Conecte cada terminal + de la parte trasera del amplificador o receptor al respectivo terminal + (rojo) de cada altavoz. Conecte los terminales - (negros) de la misma forma. Si las conexiones no se realizan correctamente puede provocar una respuesta de graves y una imagen pobres. Igualmente, para evitar cortocircuitos que pueden dañar su equipo, tenga cuidado de no permitir que dos cables desnudos se toquen.



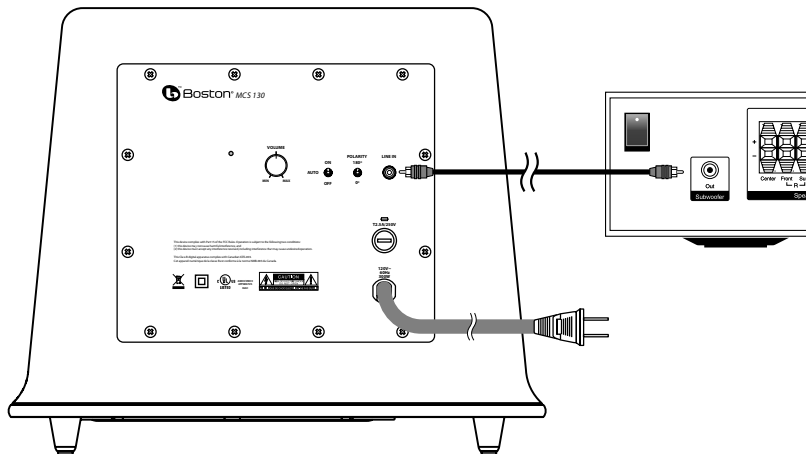
Asegúrese de mantener la polaridad + y - adecuada en todas las conexiones de cables de altavoz.



Los cables de altavoz pueden ser encajinados a través de los canales de la parte trasera del altavoz y los orificios de los pies.

Conexiones del Subwoofer

Desconecte toda la potencia. Utilice el cable de subwoofer incluido con el sistema para conectar el subwoofer a la salida Subwoofer o LFE de su receptor. Conecte el otro extremo a la toma "Line In" en la parte trasera del Subwoofer.



Controles del Subwoofer

Conexión/Auto/Standby

Enchufe el cable de CA del subwoofer en una toma de pared. No recomendamos utilizar las tomas de salida de la parte trasera del receptor. Ajuste el interruptor de potencia en el control deseado.

OFF – El subwoofer está apagado y no producirá ningún sonido. Puede querer apagar su subwoofer si no lo va a utilizar durante algún tiempo o si desea no gastar electricidad.

AUTO – El subwoofer se encenderá siempre que se detecte una señal. Si no se detecta una señal después de varios minutos, entrará automáticamente en el modo Standby.

ON – El subwoofer está siempre encendido.

Un indicador de LED junto al control de volumen indica el modo en el cual se encuentra el subwoofer.

OFF = El subwoofer está apagado

ROJO = STANDBY (No hay detección de señal, Amp Apagado)

VERDE = ON (Detección de señal, Amp Encendido)

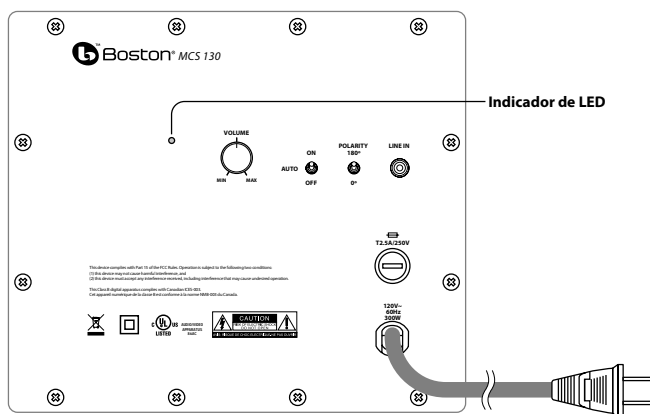
El subwoofer se pondrá automáticamente en el modo "Standby" después de varios minutos si no se detecta una señal desde el sistema. El sub-woofer se CONECTARÁ instantáneamente cuando se detecte una señal.

Control del Volumen

Empiece ajustando el Control de Volumen del Subwoofer a la posición de las 11 del reloj. Después siga ajustando el Control de Volumen del Subwoofer hasta que escuche una correspondencia entre el volumen de los altavoces principales y el del subwoofer. Idealmente, la respuesta de graves no debe sobrecargar la sala, sino más bien ajustarse de forma que haya una mezcla natural a lo largo de toda la gama musical.

Control de Polaridad

Seleccione la polaridad normal (0°) o invertida (180°) para el subwoofer. Ajuste este conmutador a la posición que proporcione los graves más llenos y más dinámicos cuando esté escuchando desde la posición de escucha principal. El efecto de la polaridad será más audible en instrumentos de percusión de baja frecuencia o en música con una línea de graves continuamente repetida, y puede no producir ningún cambio significativo en realidad.



Funcionamiento

Cuando utilice el MCS 130 en un sistema de cine en casa Dolby® Digital o DTS™, asegúrese de que todos los altavoces están ajustados en "Small". Cuando utilice el sistema en un sistema de cine en casa Dolby Pro Logic®, asegúrese de que el modo del canal central del receptor está ajustado en "Normal."

Algunos receptores/procesadores ofrecen diferentes opciones de configuración para cada fuente o modo "surround" (envolvente) (p. ej. CD estéreo, videocasete, Dolby Digital, Pro Logic). En cada caso, siga las instrucciones de su equipo para asegurarse de que la salida del subwoofer está conectada y que los altavoces están ajustados en "Small" en cada modo.

Si su receptor tiene ajustes de frecuencia de cruce ajustables, recomendamos que la frecuencia de cruce del subwoofer se ajuste en 120 Hz.

Remítase al manual del propietario de su receptor AV para obtener cualquier recomendación adicional sobre el funcionamiento del sistema.

Mantenimiento y Servicio

Todas las conexiones de cableado deben inspeccionarse y limpiarse o establecerse de nuevo por lo menos una vez al año.

Si se produce algún problema, asegúrese de que todas las conexiones se han realizado adecuadamente, y que están sujetas y limpias. Si se produce un problema en un altavoz, vuelva a cablear este altavoz en una ubicación diferente en el sistema. Si el problema persiste en este altavoz, el problema está en él. Si suena bien en la nueva posición, es una indicación muy clara de que hay un problema de mayor calado en la electrónica del sistema. En el caso de que su MCS necesite servicio, póngase en contacto con su distribuidor local de Boston Acoustics o visite www.bostona.com para conseguir un listado de distribuidores en su zona.

Si el subwoofer no funciona, compruebe que todos los conectores de los cables hacen contacto adecuadamente y que la toma de CA está conectada a un receptáculo "activo".

Garantía Limitada

Boston Acoustics garantiza al comprador original de nuestro sistema MCS 130 que el mismo estará libre de defectos en materiales y mano de obra en sus piezas mecánicas por un periodo de 5 años a partir de la fecha de compra. El periodo de garantía para los componentes eléctricos del MCS 130 es de 1 año.

Es responsabilidad suya instalarlo y utilizarlo de acuerdo con las instrucciones suministradas, proporcionar un transporte seguro hasta un re-presentante de servicio autorizado de Boston Acoustics, y presentar la prueba de compra en la forma del recibo de venta cuando sea necesario el servicio.

Quedan excluidos de esta garantía los daños que resulten del abuso, del mal uso, de una instalación inadecuada, de accidentes, del transporte, o de reparaciones/modificaciones por parte de cualquiera que no sea el representante de servicio autorizado de Boston Acoustics.

Esta garantía está limitada al producto de Boston Acoustics y no cubre daños de cualquier equipo asociado. Esta garantía no cubre el coste de la retirada o de la reinstalación. Esta garantía queda anulada si se ha eliminado o borrado el número de serie. Esta garantía le proporciona derechos legales específicos, y puede tener también otros derechos que pueden variar según el país.

Si parece necesario el servicio

Primero, póngase en contacto con el distribuidor al cual ha comprado el producto. Si esto no es posible, escriba a:

Boston Acoustics, Inc.
300 Jubilee Drive
Peabody, MA 01960 USA

O póngase en contacto con nosotros por medio de un e-mail a:
support@bostona.com

Le avisaremos rápidamente sobre la acción a tomar. Si es necesario devolver su MCS 130 a la fábrica, rogamos lo envíe prepagado. Después de la reparación, lo devolveremos con portes pagados en los Estados Unidos y Canadá.



Sólo para clientes de la UE

Este símbolo que aparece en el producto indica que éste no debe ser eliminado con la basura doméstica. En vez de esto, debe colocarse en un punto de recogida separada para desechos electrónicos o devuelto a un detallista al comprar un producto si-milar. El fabricante ha pagado para reciclar este producto. Haciendo esto contribuye a reutilizar y reciclar, minimiza los efectos adversos sobre el medioambiente y la salud humana y evita cualquier multa por una eliminación incorrecta.

Boston Acoustics busca continuamente actualizar y mejorar sus productos. Las especificaciones y detalles de construcción están sujetos a cambios sin previo aviso.

INSTRUCTIONS IMPORTANTES RELATIVES À LA SÉCURITÉ



Ce symbole affiché sur l'appareil indique les risques résultant des tensions dangereuses.



Ce symbole affiché sur l'appareil indique que l'utilisateur doit lire toutes les déclarations de sécurité énoncées dans le manuel de l'utilisateur.



Ce symbole affiché sur l'appareil indique une double isolation.



ATTENTION ! Afin de réduire le risque d'incendie ou de choc électrique, ne pas exposer cet appareil à la pluie ou à l'humidité



Ce symbole affiché sur l'appareil indique que ce dernier doit être placé dans une installation de collecte distincte réservée aux déchets électroniques et ne doit pas être éliminé avec les déchets domestiques.

1. Veuillez lire ces instructions.
2. Conservez ces instructions.
3. Tenez compte de tous les avertissements.
4. Respectez toutes les instructions.
5. N'utilisez pas cet appareil à proximité d'une source d'eau.
6. Nettoyez l'appareil uniquement à l'aide d'un chiffon sec.
7. Ne bloquez aucun des orifices de ventilation. Procédez à l'installation conformément aux instructions du fabricant.
8. N'installez pas cet appareil près de sources de chaleur telles que radiateurs, bouches d'air chaud, cuisinières, ou d'autres appareils (y compris des amplificateurs) produisant de la chaleur.
9. Ne supprimez pas la fonction de sécurité de la fiche polarisée ou de la fiche avec tige de mise à la terre. Une fiche polarisée possède deux lames, l'une plus large que l'autre. Une fiche avec tige de mise à la terre possède deux lames et une troisième broche de mise à la terre. La large lame ou la troisième broche est prévue pour votre sécurité. Si la fiche fournie ne s'adapte pas à votre prise électrique, consultez un électricien afin de procéder au remplacement de la prise obsolète.
10. Évitez de marcher sur le cordon électrique ou de le pincer, en particulier au niveau des prises d'alimentation, des socles des prises d'alimentation et du point de sortie du cordon de l'appareil.
11. N'utilisez que des accessoires spécifiés par le fabricant.
12. Débranchez cet appareil durant les orages ou lorsqu'il n'est pas utilisé pendant des périodes prolongées.
13. Utilisez du personnel d'entretien qualifié pour tous les travaux de réparation. Une réparation est requise lorsque l'appareil a été endommagé d'une manière quelconque ; c'est le cas, par exemple, lorsqu'un cordon d'alimentation ou une fiche est endommagé(e), lorsqu'un liquide est renversé sur l'appareil ou lorsque des objets sont tombés dans l'appareil par les orifices de ventilation, si l'appareil a été exposé à la pluie ou à l'humidité, s'il ne fonctionne pas correctement ou si vous l'avez fait tomber.
14. Maintenez une distance minimale de 50 mm à l'avant, à l'arrière et sur les côtés de l'appareil afin de permettre une ventilation suffisante. Il convient de ne pas restreindre la ventilation en couvrant les orifices d'aération ou en plaçant sur ou autour de l'appareil des objets tels que des journaux, des nappes, des rideaux, etc.
15. Ne placez aucune source de flammes, comme des bougies allumées, sur l'appareil.
16. L'appareil ne doit pas être exposé à des risques d'éclaboussure

ou de renversement de liquide. Ne posez dessus aucun objet rempli de liquide, tel que des vases.

17. Le connecteur d'alimentation à l'arrière de l'appareil ou la prise d'alimentation murale doit rester accessible, de manière à pouvoir débrancher l'appareil.
18. Pour débrancher complètement cet appareil du secteur, déconnectez la fiche du cordon d'alimentation du socle de la prise de courant.
19. La prise secteur du fil d'alimentation doit toujours être prête à l'emploi.



Utilisateurs américains :

Remarque : Ce matériel a été testé et a été déclaré conforme aux limites pour un dispositif numérique de Classe B, en vertu de la partie 15 des Règles de la FCC. Ces limites sont conçues pour procurer une protection raisonnable contre les interférences négatives dans une installation résidentielle. Ce matériel génère, utilise et peut irradier de l'énergie de radiofréquence et, s'il n'est pas installé et utilisé en respectant les instructions, peut provoquer des interférences négatives pour les communications radio. Toutefois, nous ne pouvons pas garantir qu'il ne se produira pas d'interférences dans une installation particulière. Si ce matériel provoque effectivement des interférences négatives pour la réception radio ou télé, ce qui peut être déterminé en éteignant puis en rallumant le matériel, nous conseillons à l'utilisateur d'essayer de corriger cette interférence en appliquant une ou plusieurs des mesures suivantes :

- Réorienter ou repositionner l'antenne de réception.
- Augmenter la distance séparant le matériel et le récepteur.
- Branchez le matériel dans une prise appartenant à un circuit différent de celui auquel le récepteur est raccordé.
- Consulter le revendeur ou un technicien radio/télé compétent pour obtenir de l'assistance.



Utilisateurs canadiens

This class B digital apparatus complies with Canadian ICES-003. Cet appareil numérique de classe B est conforme à la norme NMB-003 du Canada.

Spécifications	Haut-parleurs LCR	Haut-parleurs ambiophoniques	Caisson de basse alimenté
Réponse en fréquence :	110Hz – 20kHz	120Hz – 20kHz	40 - 150Hz
Plage de puissance recommandée pour l'amplificateur :	10 – 150 watts	10 – 150 watts	—
Sensibilité :	88dB [2.8v at 1m]	88dB [2.8v at 1m]	—
Impédance nominale :	8 ohms	8 ohms	—
Fréquence de transition :	2,700Hz	2,700Hz	
Sortie amplificateur :	—	—	200 watts RMS. Le circuit BassTrac® élimine la distorsion.
Haut-parleur de graves :	—	—	10" (254mm) DCD
Haut-parleur médial :	DCD copolymère mixte 89 mm avec prises de phases et MagnaGuard®	DCD copolymère mixte 89 mm avec prises de phases et MagnaGuard	—
Haut-parleur d'aigus :	Dôme souple Kortec® 25 mm	Dôme souple Kortec® 25 mm	—
Dimensions: (H x L x P)	352 x 127 x 103 mm	214 x 140 x 102 mm	349 x 419 x 419 mm
Poids :	2.27kg	1.36kg	14.15kg

Présentation du MCS 130

Merci d'avoir acheté un système de haut-parleurs multicanaux Boston Acoustics. Ces haut-parleurs sont constitués de composants de très haute qualité qui produisent le célèbre son Boston. Le système MCS 130 se prête parfaitement à une utilisation en tant que solution à 5.1 canaux dans un système hi-fi ou home cinéma de haute qualité. Le système MCS 130 est fourni avec tous les éléments dont vous aurez besoin pour un système de haut-parleurs type, y compris les fils des haut-parleurs, les haut-parleurs ambiophoniques, LCR (gauche, central et droit) et un caisson de basse. Veuillez consulter notre site Bostonacoustics.com pour de plus amples informations sur le positionnement de vos haut-parleurs.

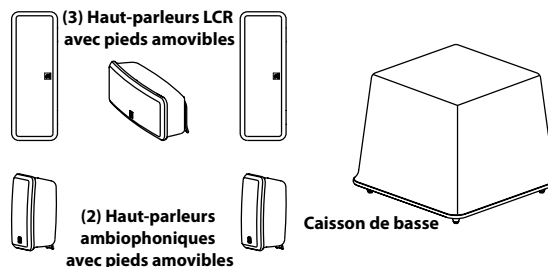
Le système de haut-parleurs MCS 130 fournit un dialogue à l'écran, une musique et des effets exceptionnellement clairs, ainsi que des basses qui emplissent la pièce, le tout à partir d'un boîtier peu encombrant et élégant. Les répartiteurs de qualité et de positionnement compacts spécifiques au système garantissent une dispersion uniforme large pour une couverture totale de la pièce d'écoute. Tous les haut-parleurs possèdent également la protection magnétique MagnaGuard® qui évite toute interférence du champ magnétique du haut-parleur avec les images de télévision.

Déballage du système

Déballer le système avec précaution. Si vous constatez tout endommagement causé lors du transport, signalez-le immédiatement à votre revendeur et/ou au service de livraison. Conservez le carton d'expédition et les emballages pour toute utilisation ultérieure.

Ouvrez le carton et vérifiez qu'il contient les éléments suivants :

- (3) **Haut-parleurs LCR (gauche, central et droit)**
- (2) **Haut-parleurs ambiophoniques**
- (1) **Caisson de basse**
- (2) **Fils de haut-parleurs (12 m)**
- (3) **Fils de haut-parleurs (4,6 m)**
- (1) **Câble du caisson de basse (4,6 m)**
- (2) **Pieds (pour utiliser les haut-parleurs LCR en position horizontale)**
- (4) **Protections en caoutchouc (utilisées pour une fixation au mur)**



Options de positionnement

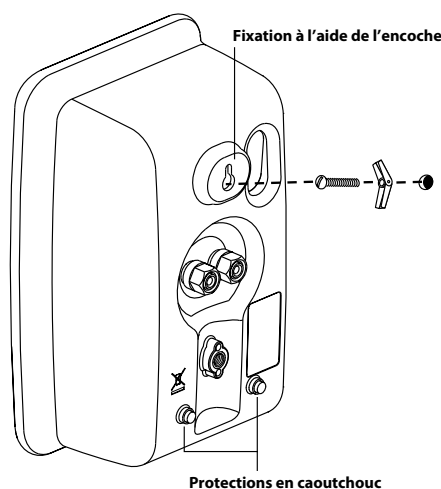
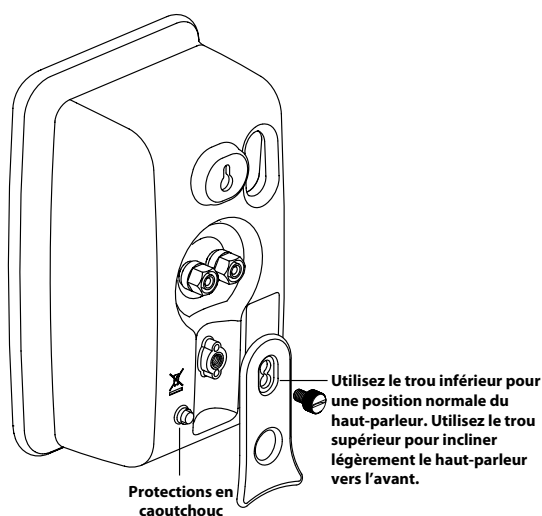
Les haut-parleurs ambiophoniques et LCR du système MCS 130 se placent facilement sur une table ou au mur. Les haut-parleurs sont configurés pour être utilisés à plat lorsque vous déballez le système. Un pied sera installé sur les deux haut-parleurs LCR pour maintenir le niveau de votre haut-parleur lorsqu'il est utilisé en position verticale. Les deux pieds seront installés sur l'autre haut-parleur LCR pour une utilisation horizontale en tant que haut-parleur central.

Chaque pied comprend deux fois deux trous. Si vous utilisez les deux trous supérieurs, les haut-parleurs seront légèrement inclinés vers l'avant pour une utilisation sur une étagère en hauteur. Lorsque les pieds situés à l'arrière des haut-parleurs sont enlevés, il est facile de fixer les haut-parleurs au mur.

Les haut-parleurs LCR et ambiophoniques du système MCS 130 sont conçus pour être facilement fixés au mur à l'aide de la ou des encoches situées au dos du haut-parleur. Lors de la fixation des haut-parleurs au mur, utilisez les protections en caoutchouc fournies. Vous devez retirer le pied du haut-parleur avant de le fixer au mur. Retirez la vis à main située au dos du pied. Cette vis est fixée de manière à être facilement dévissée à l'aide d'un tournevis ou d'une pièce.

L'option de fixation avec encoche est semblable à la fixation au mur d'un cadre. Installez une vis de #8 (non fournie) dans le placoplâtre en vous assurant de la visser dans un chevron et accrochez le haut-parleur sur la tête de la vis. Si aucun chevron n'est disponible, une fixation de placoplâtre doit être utilisée pour supporter le poids du haut-parleur. Il est conseillé de connecter le fil du haut-parleur avant de fixer ce dernier au mur.

REMARQUE : En raison des nombreux types différents de surfaces sur lesquelles les haut-parleurs peuvent être fixés, nous ne pouvons pas fournir un type de fixation adapté à toutes les situations possibles. Prenez donc en compte la surface sur laquelle sera fixé le haut-parleur lorsque vous achetez le type de fixation approprié. Si vous n'êtes pas sûr du type de fixation à utiliser, apportez le support de fixation dans un magasin de bricolage, donnez-leur des informations sur le mur sur lequel vous voulez fixer le haut-parleur et demandez-leur la fixation appropriée qu'ils recommanderaient. N'oubliez pas de prendre en compte le poids du haut-parleur.



Connexions des haut-parleurs

Afin de garantir une performance optimale, respectez les polarités lors des connexions des haut-parleurs, comme indiqué dans le graphique. Connectez chaque terminal + situé au dos de l'amplificateur ou du récepteur au terminal + (rouge) respectif de chaque haut-parleur. Connectez les terminaux - (noirs) de la même manière.

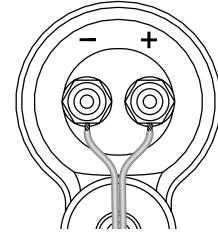
Si les connexions ne sont pas effectuées correctement, cela peut entraîner une réponse des basses et des images de qualité médiocre. Afin d'éviter tout court-circuit pouvant endommager votre matériel, faites également en sorte qu'aucun des fils nus n'entrent en contact.

Pour la connexion à votre récepteur, veuillez consulter le manuel de l'utilisateur.

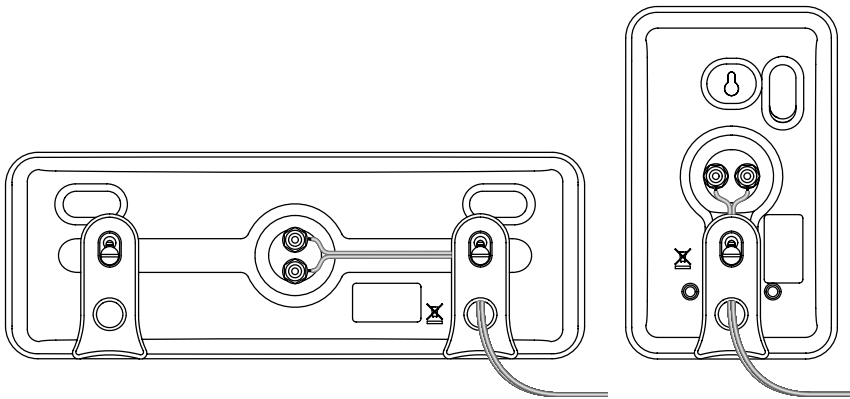
Important !

Afin de garantir une performance optimale, respectez les polarités lors des connexions des haut-parleurs, comme indiqué dans le graphique. Connectez chaque terminal + situé au dos de l'amplificateur ou du récepteur au terminal + (rouge) respectif de chaque haut-parleur. Connectez les terminaux - (noirs) de la même manière.

Si les connexions ne sont pas effectuées correctement, cela peut entraîner une réponse des basses et des images de qualité médiocre. Afin d'éviter tout court-circuit pouvant endommager votre matériel, faites également en sorte qu'aucun des fils nus n'entrent en contact.



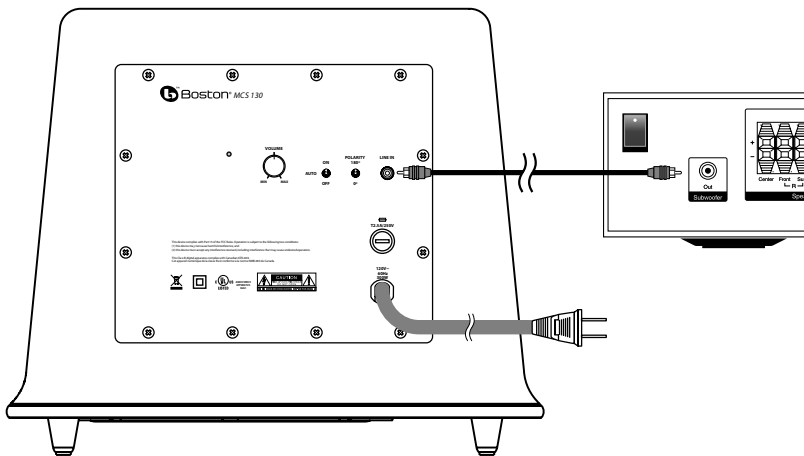
Faites en sorte de maintenir les polarités + et - correctes pour toutes les connexions de haut-parleurs.



Les fils de haut-parleurs peuvent passer par les canaux situés au dos du haut-parleur et par les trous conçus pour les pieds.

Connexions du caisson de basse

Coupez toute alimentation. Utilisez le câble du caisson de basse fourni avec votre système pour connecter le caisson de basse à la sortie Subwoofer ou LFE de votre récepteur. Connectez l'autre extrémité à « Line In » située au dos du caisson de basse.



Commandes du caisson de basse

Marche/Arrêt / Auto / Veille

Branchez le fil d'alimentation du caisson de basse dans une prise murale. Il n'est pas recommandé d'utiliser les prises situées au dos du récepteur. Réglez l'interrupteur d'alimentation sur le paramètre de votre choix.

OFF – Le caisson de basse est désactivé et ne produit aucun son. Il peut être préférable d'éteindre votre caisson de basse si vous n'envisagez pas de l'utiliser pendant un certain temps ou souhaitez économiser l'électricité.

AUTO – Le caisson de basse se met sous tension lorsqu'un signal est détecté. Si aucun signal n'est détecté après plusieurs minutes, il passera automatiquement en mode de veille.

ON – Le caisson de basse est toujours activé.

Un voyant situé à côté de la commande du volume indique le mode du caisson de basse.

ETEINT = Le caisson de basse est désactivé.

ROUGE = VEILLE (aucun signal détecté, Amp. désactivé)

VERT = MARCHE (signal détecté, Amp. activé)

Le caisson de basse passe automatiquement en mode de veille après plusieurs minutes lorsque aucun signal n'est détecté dans votre système.

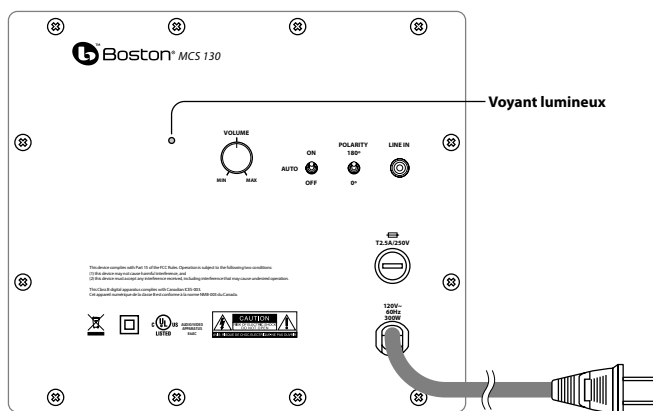
Le caisson de basse se met ensuite immédiatement en MARCHE lorsqu'un signal est détecté.

Commande du volume

Commencez par régler le volume du caisson de basse sur la position 11 h. Réglez davantage le volume du caisson de basse jusqu'à ce que le volume des haut-parleurs principaux corresponde à celui du caisson de basse. L'idéal est que la réponse des basses ne prédomine pas dans la pièce, mais qu'elle soit réglée de manière à ce qu'elle se fonde naturellement dans la gamme musicale.

Contrôle de la polarité

Sélectionnez la polarité normale (0°) ou inversée (180°) pour le caisson de basse. Placez l'interrupteur dans la position qui fournit les basses les plus complètes et les plus dynamiques dans la position assise d'écoute principale. L'effet de la polarité sera le plus perceptible avec les instruments de percussion ou la musique à basses fréquences avec une ligne de basses répétitive continue. Il se peut qu'il ne produise pas non plus de changement radical.



Fonctionnement

Lorsque vous utilisez le système MCS 130 dans un système home cinéma Dolby® Digital ou DTS™, vérifiez que tous les haut-parleurs sont définis sur « Small ». Lorsque vous utilisez ce système dans un système de home cinéma Dolby Pro Logic®, vérifiez que le mode du canal central du récepteur est défini sur « Normal ».

Certains récepteurs / processeurs offrent des options de configuration différentes pour chaque source ou mode ambiophonique (ex. : CD-stéréo, cassette vidéo, Dolby Digital, Dolby Pro Logic). Dans chaque cas, suivez les instructions de votre appareil pour vous assurer que la sortie du caisson de basse est activée et que les haut-parleurs sont bien définis sur « Small » dans chaque mode.

Si votre récepteur possède des paramètres réglables, il est recommandé de régler le répartiteur du caisson de basse sur 120 Hz.

Consultez le manuel de l'utilisateur pour votre récepteur AV pour toute recommandation supplémentaire sur le fonctionnement du système.

Entretien et maintenance

Toutes les connexions doivent être contrôlées et nettoyées, ou effectuées à nouveau, au moins une fois par an.

Si un problème se produit, vérifiez que toutes les connexions sont effectuées correctement, qu'elles sont propres et non dangereuses. Si un problème se produit dans l'un des haut-parleurs, reconnectez ce haut-parleur à un endroit différent du système. Si le problème persiste avec ce haut-parleur, alors le problème réside dans le haut-parleur. Si le son du haut-parleur semble bon dans la nouvelle position, ceci indique un problème plus profond avec l'électronique du système. Au cas où votre système MCS 130 aurait besoin d'être réparé, contactez votre revendeur Boston Acoustics local ou consultez le site www.bostona.com pour obtenir une liste des revendeurs de votre région.

Si votre caisson de basse ne fonctionne pas, vérifiez que tous les connecteurs des câbles sont bien en contact et que la prise est connectée à une prise de courant en état de fonctionnement.

Garantie limitée

Boston Acoustics garantit à l'acheteur original de notre système MCS 130 que celui-ci ne comportera pas de défauts, que ce soit au niveau des matériaux utilisés ou de la construction de ses pièces mécaniques, pendant une période de 5 ans à partir de la date d'achat. La période de garantie en ce qui concerne les composants électriques du système MCS 130 est de un an.

Vous avez la responsabilité d'installer et d'utiliser ces systèmes conformément aux instructions fournies, de procurer un transport sûr et sécurisé auprès d'un représentant autorisé du service après-vente de Boston Acoustics et de présenter une preuve d'achat sous la forme de votre ticket de caisse, lorsque vous demandez une réparation.

Sont exclus de cette garantie les dommages causés par un usage abusif, un usage incorrect, une installation incorrecte, les accidents, le transport ou les réparations/modifications effectuées par quiconque autre qu'un représentant autorisé du service après-vente de Boston Acoustics.

Cette garantie se limite à ce produit Boston Acoustics et ne couvre pas les dégâts subis par tout matériel qui lui est associé. Cette garantie ne couvre pas le coût d'un enlèvement ou d'une réinstallation. Cette garantie est nulle si le numéro de série a été enlevé ou effacé. Cette garantie vous donne des droits juridiques spécifiques et vous pouvez aussi bénéficier d'autres droits qui varient d'un pays à l'autre.

Si une réparation semble nécessaire

Contactez tout d'abord le revendeur auprès de qui vous avez acheté ce produit. Si ce n'est pas possible, écrivez à :

Boston Acoustics, Inc.
300 Jubilee Drive
Peabody, MA 01960 États-Unis

Ou contactez-nous par courrier électronique à :
support@bostona.com

Nous vous informerons rapidement des mesures à prendre. S'il est nécessaire de renvoyer votre système MCS 130 à l'usine, veuillez l'expédier en port prépayé. Une fois qu'il aura été réparé, nous le retournerons en port prépayé aux États-Unis et au Canada.



Uniquement à l'attention des clients européens

Ce symbole affiché sur le produit indique que celui-ci ne doit pas être éliminé avec les déchets domestiques. À la place, il peut être placé dans une installation de collecte distincte réservée aux déchets électroniques ou renvoyé à un détaillant lorsque vous achetez un produit similaire. Le producteur a payé pour que ce produit soit recyclé. Ces mesures contribuent à la réutilisation et au recyclage, ce qui minimise les effets indésirables sur l'environnement et sur la santé humaine et évitent les amendes pour élimination incorrecte.

Boston Acoustics s'efforce continuellement de mettre à jour et d'améliorer ses produits. Les spécifications et les détails de construction peuvent être modifiés sans préavis.

IMPORTANTI ISTRUZIONI PER LA SICUREZZA



Questo simbolo riportato sul dispositivo indica la presenza di rischi derivanti da voltaggi pericolosi.



Questo simbolo riportato sul dispositivo indica che l'utente deve leggere tutte le istruzioni di sicurezza riportate nel Manuale dell'utente.



Questo simbolo riportato sul dispositivo indica la presenza di una doppia coibentazione.

1. Leggere le istruzioni.
2. Conservare le istruzioni.
3. Prestare attenzione a tutte le avvertenze.
4. Seguire tutte le istruzioni.
5. Non utilizzare il dispositivo vicino all'acqua.
6. Pulire esclusivamente con un panno asciutto.
7. Non ostruire le aperture di ventilazione. Installare in conformità con le istruzioni fornite dal produttore.
8. Non installare nelle vicinanze di fonti di calore come termosifoni, stufe o qualsiasi altro dispositivo (amplificatori inclusi) che possa generare calore.
9. Non modificare la spina polarizzata o dotata di spinotto di protezione. Una spina polarizzata è dotata di due lame, una più larga dell'altra. Una spina con spinotto è dotata di due lame e di un terzo polo di messa a terra. La lama più larga e il terzo polo hanno lo scopo di tutelare l'incolumità dell'utente. Se la spina in dotazione non si adatta alla presa di corrente disponibile, rivolgersi a un elettricista per far eseguire le modifiche necessarie.
10. Proteggere il cavo di alimentazione da possibili calpestamenti o compressioni, in particolare in corrispondenza di spine, prese di corrente e punto di uscita dall'apparecchio.
11. Utilizzare esclusivamente prese/accessori specificati dal produttore.
12. Scollegare l'apparecchio dalla presa di corrente in caso di temporali o di non utilizzo per un lungo periodo di tempo.
13. Rivolgersi esclusivamente a personale di assistenza qualificato per qualsiasi intervento. È necessario intervenire sull'apparecchio ogniqualvolta esso risulti danneggiato in qualsiasi modo, per esempio in caso di danneggiamento della spina o del cavo di alimentazione, versamento accidentale di liquido sull'apparecchio o caduta di oggetti su di esso, esposizione a pioggia o umidità, funzionamento irregolare o caduta.
14. Collocare l'apparecchio mantenendo una distanza minima di 2" (50 mm) davanti, dietro e sui lati, per garantire una ventilazione ottimale. Non ostruire la ventilazione coprendo le aperture di ventilazione o collocando sul dispositivo o attorno a esso materiali quali giornali, tessuti, tende e così via.
15. Non collocare sull'apparecchio fonti di fiamme libere quali candele accese.
16. Non esporre il dispositivo a sgocciolamenti o spruzzi d'acqua. Non appoggiare sopra il dispositivo oggetti contenenti liquidi, quali vasi da fiori.



ATTENZIONE! Per ridurre il rischio di incendio o di folgorazione, non esporre il dispositivo alla pioggia o all'umidità.



Questo simbolo riportato sull'apparecchio indica che il prodotto deve essere smaltito tramite gli appositi sistemi di smaltimento per componenti elettronici e che non può essere smaltito con i rifiuti domestici.

17. Fare in modo che il connettore di alimentazione in ingresso posto sul pannello posteriore del dispositivo o la spina di alimentazione inserita nella presa restino accessibili, in modo da rendere possibile lo scollegamento del dispositivo.
18. Per scollegare completamente il dispositivo dalla presa di corrente, staccare la spina del cavo di alimentazione dall'uscita AC.
19. Mantenere la spina del cavo di alimentazione sempre pronta per poter essere utilizzata.



Utenti americani:

Nota: Il presente dispositivo è stato testato e ritenuto conforme ai limiti di Classe B per i dispositivi digitali, riportati nella Parte 15 delle Norme FCC. Tali limiti sono stati sviluppati ai fini di fornire una protezione ragionevole contro interferenze pericolose in installazioni residenziali. Il presente dispositivo genera, usa e può emettere energia di radiofrequenza e, se non installato e utilizzato in conformità con le istruzioni riportate, potrebbe comportare interferenze pericolose alle comunicazioni via radio. Tuttavia, non vi è alcuna garanzia che le interferenze non si verifichino in una particolare installazione. Se il presente dispositivo dovesse comportare interferenze pericolose nella ricezione radiotelevisiva, il che può essere determinato tramite l'accensione e lo spegnimento del dispositivo stesso, si invita l'utente a tentare di correggere l'interferenza, prendendo una o più delle seguenti misure:

- Riorientare o ricollocare l'antenna di ricezione.
- Aumentare la distanza tra il dispositivo e il ricevitore.
- Connettere il dispositivo a un'uscita di un circuito diverso da quello al quale è connesso il ricevitore.
- Consultare il rivenditore o un tecnico radio/TV con esperienza, per ottenere assistenza.



Utenti canadesi

Questo dispositivo è stato classificato come dispositivo digitale di Classe B in conformità con le norme ICES-003 canadesi. Cet appareil numérique de classe B est conforme à la norme NMB-003 du Canada.

Specifiche	Altoparlanti LCR	Altoparlanti surround	Subwoofer
Risposta in frequenza:	110Hz – 20kHz	120Hz – 20kHz	40 - 150Hz
Potenza raccomandata dell'amplificatore:	10 – 150 watts	10 – 150 watts	—
Sensibilità:	88dB [2.8v at 1m]	88dB [2.8v at 1m]	—
Impedenza nominale:	8 ohms	8 ohms	—
Frequenza di crossover:	2,700Hz	2,700Hz	
Uscita amplificatore:	—	—	200 watt RMS; il circuito BassTrac® elimina la distorsione
Woofers:	—	—	10" (254mm) DCD
Midrange:	DCD duplice in copolimero da 3½" (89 mm) con correttore di fase Phase Plugs e MagnaGuard®	DCD duplice in copolimero da 3½" (89 mm) con correttore di fase Phase Plugs e MagnaGuard®	—
Tweeter:	1" (25mm) Kortec® Soft Dome	1" (25mm) Kortec Soft Dome	—
Dimensioni: (A x L x P)	13 ⁷ / ₈ x 5 x 4 ¹ / ₁₆ " (352 x 127 x 103mm)	8 ⁷ / ₁₆ x 5 ¹ / ₂ x 4" (214 x 140 x 102mm)	13 ³ / ₄ x 16 ¹ / ₂ x 16 ¹ / ₂ " (349 x 419 x 419mm)
Peso:	5 lbs (2.27kg)	3 lbs (1.36kg)	31 ¹ / ₄ lbs (14.15kg)

Introduzione a MCS 130

Grazie per aver acquistato il sistema di altoparlanti multicanale di Boston Acoustics. Questi altoparlanti contengono componenti di alta qualità, che permettono di ottenere il famoso audio Boston. Il sistema MCS 130 è particolarmente adatto per l'impiego in soluzioni canale 5.1 all'interno di sistemi audio o home theater di alta qualità. Esso è dotato di tutti gli elementi necessari per la realizzazione di un sistema di altoparlanti tipico, comprendente cavi per gli altoparlanti, altoparlanti LCR (Left, Center, Right, sinistro, centrale, destro) e un subwoofer. Visitare il sito [Web Bostonacoustics.com\placement](http://Web.Bostonacoustics.com/placement) per ulteriori informazioni sulla collocazione degli altoparlanti.

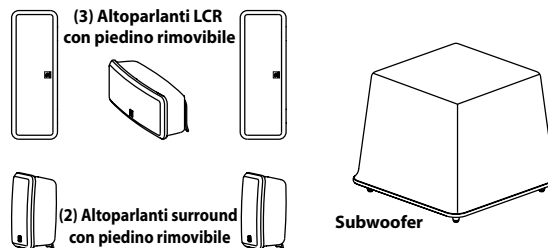
Il sistema di altoparlanti MCS 130 permette di ottenere una qualità eccezionalmente nitida per dialogo, musica, effetti speciali e bassi profondi a partire da un piccolo e semplice pacchetto. La compatta collocazione dei driver e l'ottima qualità dei crossover specifici del sistema garantiscono una dispersione vasta e uniforme, per una copertura completa della sala di ascolto. Tutti gli altoparlanti sono inoltre dotati della schermatura magnetica MagnaGuard®, che garantisce che il campo magnetico degli altoparlanti non interferisca con l'immagine televisiva.

Disimballaggio del sistema

Effettuare con cautela il disimballaggio del sistema. Nel caso in cui si rilevino eventuali segni di danneggiamento durante il trasporto, contattare immediatamente il proprio rivenditore e/o servizio di consegna. Conservare il pacchetto di spedizione e i materiali di imballaggio per impieghi futuri.

Aprire l'imballaggio e verificare la presenza dei seguenti componenti:

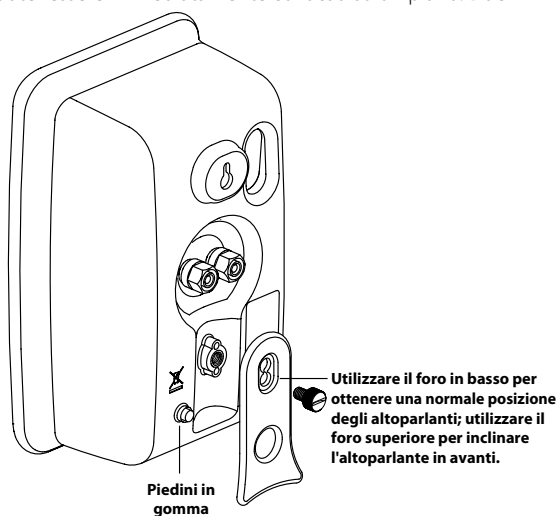
- (3) Altoparlanti LCR (sinistro, centrale, destro)**
- (2) Altoparlanti surround**
- (1) Subwoofer**
- (2) Cavi per gli altoparlanti 40' (12 m)**
- (3) Cavi per gli altoparlanti 15' (4,6m)**
- (1) Cavo per subwoofer da 15' (4,6 m)**
- (2) Piedini (da utilizzare nella collocazione orizzontale degli altoparlanti LCR)**
- (4) Piedini in gomma (per il montaggio a parete)**



Opzioni di collocazione

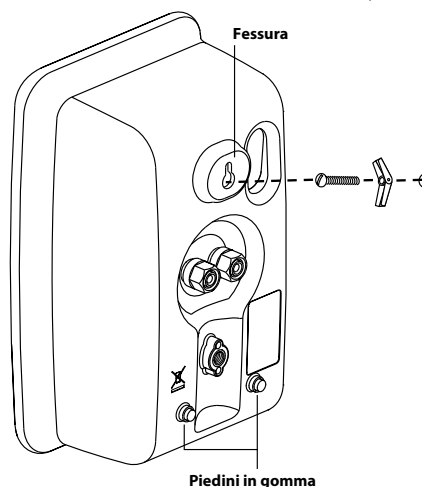
Gli altoparlanti LCR e surround del sistema audio MCS 130 possono essere collocati facilmente su un piano o applicati a parete. Al disimballaggio del sistema, gli altoparlanti sono configurati per poter essere immediatamente collocati su un piano. Due altoparlanti LCR dispongono di un piedino installato che permette di mantenerne la posizione verticale durante l'uso. L'altro altoparlante LCR dispone invece di 2 piedini installati per l'impiego orizzontale in qualità di altoparlante centrale. Su ciascun piedino sono presenti 2 serie di fori; utilizzando il foro superiore, gli altoparlanti potranno assumere un'angolazione leggermente inclinata, per poter essere collocati su un ripiano posto in alto. Rimuovere i piedini sul retro degli altoparlanti per appenderli facilmente alla parete.

Gli altoparlanti LCR e surround del sistema audio MCS 130 sono appositamente progettati per essere applicati a parete utilizzando le fessure apposite presenti sul retro degli altoparlanti. In fase di applicazione degli altoparlanti a parete, utilizzare i piedini in gomma forniti. Innanzitutto, è necessario rimuovere il piedino inserito negli altoparlanti, per poterli applicare a parete. Rimuovere la vite a testa zigrinata dal retro del piedino. Questa presenta una scanalatura per una facile rimozione tramite un cacciavite o una semplice moneta.



L'operazione di montaggio tramite le fessure posteriori è simile a quella normalmente eseguita per appendere un quadro a una parete. Installare un tassello da 8 (non incluso) nella parete, assicurandosi che sia ben fissato, quindi appendervi l'altoparlante. Nel caso in cui non sia disponibile un tassello, utilizzare un dispositivo di fissaggio simile per supportare il peso dell'altoparlante. Si consiglia di effettuare i collegamenti dei cavi degli altoparlanti prima di appenderli alla parete.

NOTA: dal momento che esistono moltissimi tipi di superfici ai quali possono essere applicati gli altoparlanti, non esiste un tipo di tassello che potremmo fornire garantendone il corretto funzionamento in tutte le situazioni possibili. Dunque, tenendo in considerazione la superficie alla quale viene appeso l'altoparlante, acquistare tasselli o sistemi di fissaggio appositi. Nel caso di dubbi sul tipo di tassello o sistema di fissaggio da utilizzare, si consiglia di mostrare al proprio ferramenta di fiducia il supporto di montaggio dell'altoparlante, descrivendogli il tipo di parete al quale si desidera appenderlo e chiedendogli un consiglio in merito al tassello o al sistema di fissaggio più adeguato. Tenere sempre presente il peso dell'altoparlante.



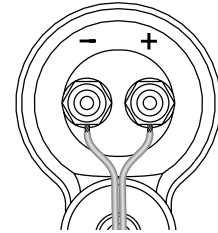
Connessione degli altoparlanti

Dopo aver definito la collocazione desiderata per gli altoparlanti, è possibile procedere al cablaggio del sistema. Innanzitutto, spegnere tutte le alimentazioni del sistema. Utilizzare il cavo degli altoparlanti incluso nel sistema per effettuare le connessioni. Vedere la figura seguente per ulteriori indicazioni sulla connessione dei cavi ai satelliti e al canale centrale del sistema audio MCS 130.

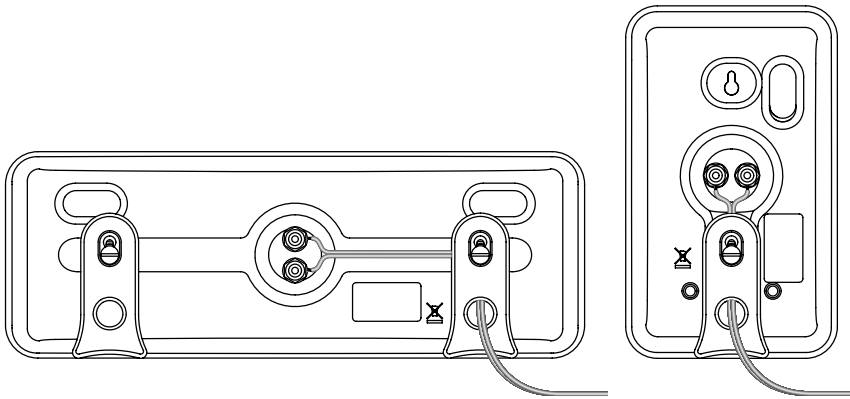
Per effettuare la connessione al ricevitore, fare riferimento al Manuale utente corrispondente.

Importante!

Per garantire le migliori prestazioni, osservare le polarità al momento della connessione degli altoparlanti, come mostrato in figura. Connettere ciascun terminale + sul retro dell'amplificatore o ricevitore al rispettivo terminale + (rosso) di ciascun altoparlante. Connettere i terminali - (nero) allo stesso modo. La realizzazione di connessioni errate può comportare scarse prestazioni in termini di risposta dei bassi e imaging. Inoltre, per evitare cortocircuiti che potrebbero danneggiare l'apparecchio, prestare attenzione a non far entrare in contatto eventuali fili esposti.



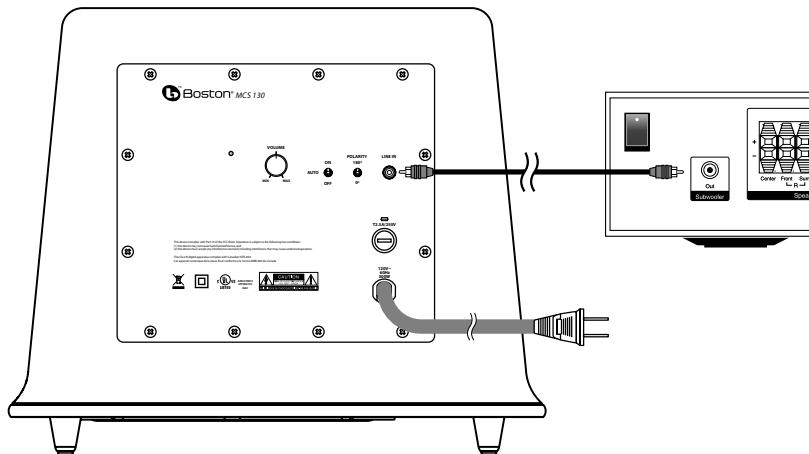
Assicurarsi di mantenere la polarità + e - corretta in tutte le connessioni dei cavi.



I cavi degli altoparlanti possono essere collocati nelle fessure poste sul retro dell'altoparlante e nei fori dei piedini.

Connessione del subwoofer

Spegnere tutte le alimentazioni. Utilizzare il cavo per subwoofer incluso nel sistema per connettere il subwoofer ai ricevitori Subwoofer o Uscita LFE. Connettere l'altra estremità alla presa "Line In" sul retro del Subwoofer.



Controlli del subwoofer

Accensione/modalità Auto/modalità Standby

Collegare il cavo AC del subwoofer a una presa di corrente a parete. Si consiglia di non utilizzare le uscite sul retro del ricevitore. Impostare come desiderato l'interruttore di alimentazione.

OFF – Il subwoofer è spento e non produrrà alcun suono. Si consiglia di spegnere il subwoofer nel caso di mancato utilizzo per diverso tempo o per risparmiare energia.

AUTO – Il subwoofer si accenderà istantaneamente al rilevamento del segnale. Nel caso in cui non venga rilevato alcun segnale per diversi minuti, il subwoofer attiverà automaticamente la modalità di Standby.

ON – Il subwoofer rimane sempre acceso.

Un indicatore LED accanto al controllo del volume indica la modalità in cui si trova il subwoofer.

OFF = Il subwoofer rimane sempre spento.

ROSSO = STANDBY (nessun segnale rilevato, Amp OFF)

VERDE = ON (segnale rilevato, Amp ON)

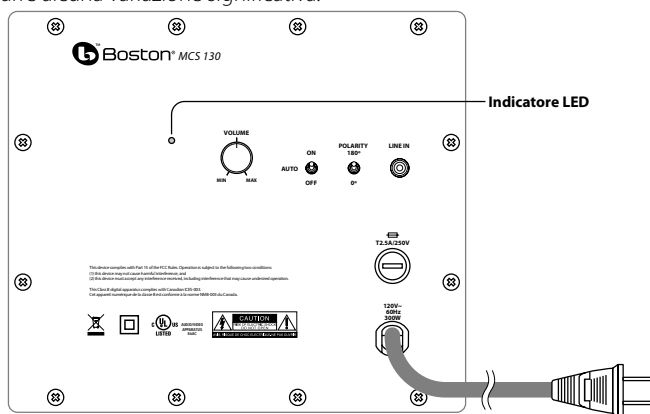
Il subwoofer attiverà automaticamente la modalità di Standby dopo diversi minuti di mancato rilevamento di segnale proveniente dal sistema. Il subwoofer si attiverà istantaneamente in posizione ON al rilevamento del segnale.

Controllo volume

Iniziare regolando il controllo volume del subwoofer in posizione a ore 11. Regolare ulteriormente il controllo volume del subwoofer fino a udire una corrispondenza di volume tra gli altoparlanti principali e il subwoofer. Idealmente, la risposta dei bassi non dovrebbe sopraffare gli altri suoni nella stanza, ma piuttosto dovrebbe essere regolata in modo da ottenere una miscelazione naturale dell'intera gamma di suoni musicali.

Controllo della polarità

Permette di selezionare la polarità regolare (0°) o invertita (180°) per il subwoofer. Impostare questo interruttore nella posizione che fornisce la qualità di bassi più piena e dinamica quando udita dalla posizione di ascolto principale. L'effetto della polarità sarà più udibile in strumenti di percussione a bassa frequenza o in musica con una linea di bassi a ripetizione continua e potrebbe non produrre alcuna variazione significativa.



Funzionamento

In fase di utilizzo del sistema audio MCS 330,20 cm un sistema home theater Dolby® Digital o DTS™, assicurarsi che tutti gli altoparlanti siano impostati a "Small" (piccolo). Se si utilizza un sistema home theater Dolby Pro Logic®, assicurarsi di aver impostato a "Normale" la modalità del canale centrale del ricevitore.

Alcuni ricevitori/processori offrono diverse opzioni di impostazione per ciascuna fonte o modalità di surround (per esempio, CD-stereo, videocassetta, Dolby Digital, Dolby Pro Logic). In ogni caso, seguire le istruzioni dell'apparecchio impiegato per assicurarsi che l'uscita del subwoofer sia attivata e che gli altoparlanti siano impostati a "Small" (piccolo) in ciascuna modalità.

Se il ricevitore dispone di impostazioni di crossover regolabili, si consiglia di impostare il crossover del subwoofer a 120 Hz.

Fare riferimento al Manuale utente del ricevitore AV per eventuali ulteriori raccomandazioni sul funzionamento del sistema.

Manutenzione e servizi

Controllare, pulire e ridefinire tutte le connessioni cablate almeno una volta l'anno.

Nel caso di problemi, assicurarsi che tutte le connessioni siano effettuate in modo corretto, sicuro e pulito. Nel caso di problemi rilevati in uno degli altoparlanti, ricollegare tale altoparlante in una posizione diversa all'interno del sistema. Nel caso in cui il problema persista in tale altoparlante, questo indicherà che il problema risiede nell'altoparlante stesso. Se l'altoparlante non presenta alcun difetto nella nuova posizione, questo indica che il problema risiede probabilmente nell'elettronica di sistema. Nel caso in cui il sistema audio MCS 130 necessiti di manutenzione, contattare il proprio rivenditore locale Boston Acoustics o visitare il sito Web www.bostona.com per un elenco dei rivenditori nella propria zona.

Se il subwoofer non funziona, verificare che tutti i connettori dei cavi non siano danneggiati e facciano contatto correttamente e che la spina AC sia connessa a una presa di corrente attiva.

Garanzia limitata

Boston Acoustics garantisce all'acquirente originale del sistema MCS 130 che questo apparecchio non presenta alcun difetto nei materiali e nella composizione delle sue parti meccaniche per un periodo di 5 anni dalla data dell'acquisto. Il periodo di garanzia per i componenti elettrici di MCS 130 è di 1 anno.

In fase di richiesta di assistenza, è di responsabilità dell'acquirente l'installazione e l'impiego del dispositivo in conformità con le istruzioni fornite, al fine di fornire un trasporto sicuro e protetto presso un rappresentante di assistenza autorizzato Boston Acoustics, nonché di presentare eventuali prove d'acquisto sotto forma di documento di vendita.

La presente garanzia non include danni derivanti da abuso, cattivo uso, installazione non corretta, incidenti, spedizione o riparazioni/modifiche effettuate da persone non autorizzate da Boston Acoustics.

Questa garanzia è limitata al prodotto Boston Acoustics e non copre i danni di alcun dispositivo associato. Questa garanzia non copre i costi di rimozione o reinstallazione. Questa garanzia non è valida in mancanza del numero di serie del dispositivo. Questa garanzia fornisce all'utente diritti legali specifici e gli consente di fruire di altri diritti che variano da uno stato all'altro.

In necessità di assistenza

Contattare innanzitutto il rivenditore presso il quale è stato acquistato il prodotto. Se questo non è possibile, scrivere a:

Boston Acoustics, Inc.
300 Jubilee Drive
Peabody, MA 01960 USA

O contattateci tramite e-mail all'indirizzo:
support@bostona.com

Vi informeremo immediatamente su come procedere. Se è necessario restituire MCS 130 alla fabbrica, effettuare una spedizione prepagata. In seguito alla riparazione, ve lo restituiranno riparato e franco spedizione negli Stati Uniti e Canada.



Clienti UE

Questo simbolo riportato sul prodotto indica che il prodotto non può essere smaltito con i rifiuti domestici. Al contrario, esso deve essere smaltito tramite un sistema di smaltimento apposito per i rifiuti elettronici o restituito al rivenditore all'acquisto di un prodotto simile. Il produttore ha pagato per il riciclo di questo prodotto. In tal modo, è possibile contribuire al reimpiego e riciclo dei materiali, riducendo al minimo gli effetti indesiderati sull'ambiente e la salute umana ed evitando multe per uno smaltimento errato.

Boston Acoustics si impegna costantemente per aggiornare e migliorare i propri prodotti. Le specifiche e i dettagli di costruzione sono soggetti a variazioni senza preavviso.

Viktiga säkerhetsanvisningar



Denna symbol som sitter på apparaten indikerar faror pga högspänning.



Denna symbol som sitter på apparaten indikerar att användaren bör läsa alla



säkerhetsanvisningar i bruksanvisningen.

1. Läs dessa anvisningar.
2. Bevara dessa anvisningar.
3. Respektera alla varningar.
4. Följ alla instruktioner.
5. Använd inte apparaten nära vatten.
6. Rengör den endast med en torr trasa.
7. Blockera inte ventilationsöppningarna. Installera apparaten enligt tillverkarens anvisningar.
8. Installera inte apparaten nära värmekällor som element, värmepannor, spisar eller andra apparater som genererar värme (inklusive förstärkare).
9. Förstör inte säkerhetsfunktionen i den polariserade eller jordade kontakten. En polariserad kontakt har två stift varav ett är bredare än det andra. En kontakt med jordningsstift har två blad och ett tredje jordningsstift. Det bredare bladet eller stiftet finns där av säkerhets skull. Om den medföljande kontakten inte passar till ditt uttag, ska du vända dig till en elektriker för att byta ut det felaktiga uttaget.
10. Skydda strömkabeln så att man inte kan kliva på den eller klämma den, speciellt i närheten av kontakten, uttag och vid den punkt där de kommer ut ur apparaten.
11. Använd endast de tillsatser och tillbehör som tillverkaren rekommenderar.
12. Koppla bort apparaten vid regnoväder eller då du inte använder den under en lång period.
13. Överlämna allt servicearbete till kvalificerad servicepersonal. Service krävs när apparaten har skadats, till exempel då strömkabeln eller kontakten har skadats eller då man har spillt vätska eller föremål har fallit ned i apparaten, då apparaten har utsatts för regn eller fukt, då den inte fungerar normalt eller har tappats.
14. Bibehåll ett minsta avstånd på 50 mm runt den framsida, baksidan och sidorna på apparaten för att garantera en tillräcklig ventilation. Ventilationen får inte förhindras genom att täcka över ventilationsöppningarna eller genom att placera tidningar, dukar, gardiner osv. på eller runt apparaten.
15. Inga källor till eldslagor, som tända ljus, får placeras på apparaten.
16. Apparaten får inte utsätta för droppande eller stänk. Inga föremål som innehåller vatten, som blomvaser, får placeras på apparaten.
17. Strömingångskontakten på apparatens baksida eller strömkontakten på väggen måste vara tillgängliga för att man ska kunna koppla bort strömmen från apparaten.



WARNING! För att minska risken för brand eller elektrisk stöt, utsätt inte apparaten för regn eller fukt.



Denna symbol som sitter på apparaten indikerar att apparaten måste placeras i en speciell container för elektroniskt avfall och inte får kastas bort tillsammans med hushållsavfallet.

18. För att helt koppla bort apparaten från strömmen, ska du koppla bort strömkabelns kontakt från strömuttaget.
19. Huvudkontakten på strömkabeln ska vara lätt att komma åt.



För amerikanska användare:

Obs: denna utrustning har testats och funnits överensstämma med gränserna för en digital apparat av Klass B, enligt del 15 i FCC-reglerna. Dessa gränsvärden är avsedda att ge ett skäligt skydd mot skadliga störningar i bostadsområden. Apparaten genererar, använder och kan utstråla radiofrekvensvågor och om den inte installeras och används i enlighet med anvisningarna, kan skadliga störningar uppstå i radiosändningar. Men det finns ingen garanti för att störningar inte uppstår i vissa installationer. Om apparaten ger upphov till skadliga störningar i radio- eller TV-mottagningen, vilket kan avgöras genom att stänga av och sätta på apparaten, ska användaren försöka åtgärda störningarna genom att vidta ett av följande säkerhetsåtgärder:

- Ändra inriktning eller läge för mottagningsantennen.
- Öka avståndet mellan apparaten och mottagaren.
- Anslut apparaten till ett uttag i en annan krets än den som mottagaren är ansluten till.
- Konsultera din återförsäljare eller en erfaren radio- och TV-tekniker för hjälp.



För kanadensiska användare

Denna digitala apparat av klass B överensstämmer med den kanadensiska bestämmelsen ICES-003. Cet appareil numérique de classe B est conforme à la norme NMB-003 du Canada.

Tekniska data	LCR-högtalare	Surroundhögtalare	Strömförsedd subwoofer
Frekvenssvar:	110Hz – 20kHz	120Hz – 20kHz	40 - 150Hz
Rekommenderad förstärkare Strömomfång:	10 – 150 watts	10 – 150 watts	—
Känslighet:	88dB [2.8v vid 1m]	88dB [2.8v vid 1m]	—
Nominal Impedance:	8 ohms	8 ohms	—
Crossoverfrekvens:	2,700Hz	2,700Hz	
Förstärkarutgång:	—	—	200 watts RMS; BassTrac® kretsen upphäver förvrängningar
Woofers:	—	—	10" (254mm) DCD
Midrange:	Dubbel 3 1/2" (89mm) kopolymer DCD med Faskontakter och MagnaGuard®	Dubbel 3 1/2" (89mm) kopolymer DCD med Faskontakter och MagnaGuard®	—
Tweeter:	1" (25mm) Kortec® Soft Dome	1" (25mm) Kortec Soft Dome	—
Mått: (H x L x B)	13 7/8 x 5 x 4 1/16" (352 x 127 x 103mm)	8 7/16 x 5 1/2 x 4" (214 x 140 x 102mm)	13 3/4 x 16 1/2 x 16 1/2" (349 x 419 x 419mm)
Vikt:	5 lbs (2.27kg)	3 lbs (1.36kg)	31 1/4 lbs (14.15kg)

MCS 130 Inledning

Tack för att du har köpt detta flerkanalshögtalarsystem från Boston Acoustics. Dessa högtalare innehåller komponenter av mycket hög kvalitet som återger det berömda Bostonljudet. Passar perfekt för användning i en 5.1-kanalslösning i ett home theater- eller musiksystem av hög kvalitet. Innehåller allt du behöver för ett typiskt högtalarsystem som högtalarsladd, satelit-högtalare och en mittkanalshögtalare samt en subwoofer. Besök webbplatsen Bostonacoustics.com för information om hur du placerar ut dina högtalare.

Högtalarsystemet MCS 130 levererar en exceptionellt väldefinierad dialog på skärmen, musik, effekter och mäktiga basljud i ett kompakt och elegant hölje. Kompakt driverplacering och kvalitet, crossover som är specifikt för systemet garanterar en jämn spridning för en fullständig täckning av lyssnarområdet. Alla högtalare är även utrustade med MagnaGuard® magnetisk skärmning som garanterar att högtalarens magnetiska fält inte stör TV-bilden.

Att packa upp systemet

Packa upp systemet försiktigt. Om det finns tecken på transportskador, ska du omedelbart meddela din återförsäljare och/eller transportföretaget om detta. Spar kartongen och förpackningsmaterialet för framtida bruk.

Öppna förpackningen och kontrollera att följande delar finns med:

(3) LCR (vänster, central, höger) högtalare

(2) Surroundhögtalare

(1) Subwoofer

(2) 40" (12m) högtalarkablar

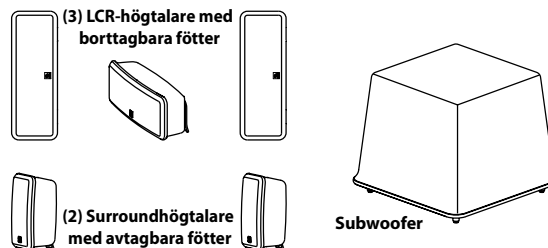
(3) 15" (4.6m) högtalarkablar

(1) 15" (4.6m) subwooferkabel

(2) Stödfötter (ska användas endast med LCR-högtalare i vågrätt läge)

(4) Stötdämpare av gummi

(används vid vägginstallationen)



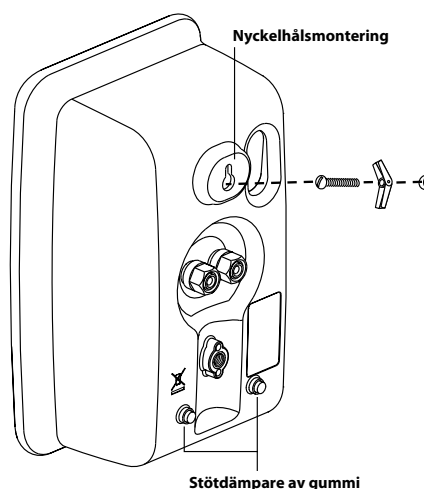
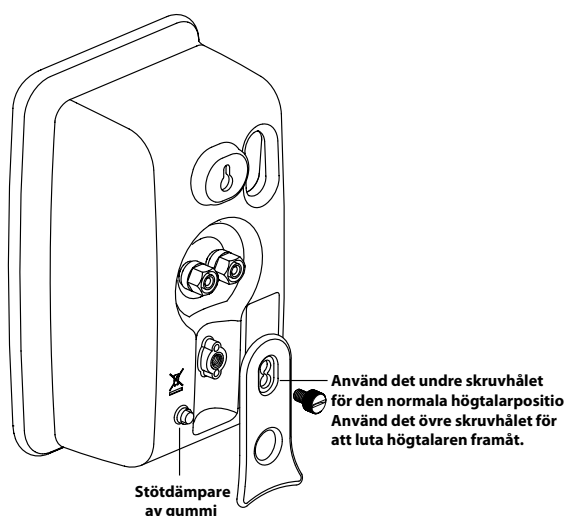
Installationsalternativ

Apparaten MCS 130 LCR och surroundhögtalarna är lätta att placera på bord eller monteras på väggen. Högtalarna är konfigurerade för bordsinstallationer när du packar upp systemet. Två LCR-högtalare har en stödfot installerad för att hålla högtalaren rak när den används i vertikalläge. Den andra LCR-högtalaren har två stödfötter installerade för en vågrät användning som mitthögtalare. Det finns två uppsättningar hål på varje stödfot genom att använda det övre av de två hålen, får högtalarna en lätt lutningsvinkel framåt för användning på en hög hylla. När stödfötterna på baksidan av högtalarna avlägsnas, är det lätt att montera högtalarna på väggen.

Apparaten MCS 130 LCR och surroundhögtalarna är avsedda för en lätt montering på väggen med hjälp av nyckelhålsöppningarna på baksidan av högtalaren. När du monterar högtalarna på väggen, ska du använda de medföljande stötdämparna av gummi. Du måste avlägsna den medföljande stödfoten för att montera din högtalare på väggen. Avlägsna tumskruven från baksidan av stödfoten. Den är räfflad för att lättare kunna avlägsna den med en skruvmejsel eller ett mynt.

Denna nyckelhålsmontering är lik anordningen för att hänga upp tavlor på väggen. Installera en #8-skruv (medföljer inte) i gipsplattan och se till att den hakar i skruven ordentligt då du hänger upp högtalaren på skruvhuvudet. Om det inte finns någon sådan skruv, ska du använda en förankring i gipsplattan och använda den för att klara av vikten av högtalaren. Vi råder dig att anslutna högtalarkablarna före väggmonteringen.

OBS: eftersom det finns så många olika typer av ytor som högtalarna kan monteras på, finns det inte en universalenhet som kan användas i alla tänkbara situationer. Därför ska du ta hänsyn till ytan som högtalaren ska monteras på, skaffa dig rätt typ av fästeanordningar. Om du inte är säker på vilken typ av fästeanordning du bör använda, kan du ta med dig monteringsbygeln till en järnaffär, berätta om väggen du ska montera högtalaren på och be dem rekommendera en lämplig fästeanordning. Ta även hänsyn till högtalarens vikt.



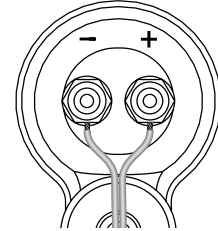
Högtalaranslutningar

Då du har installerat dina högtalare korrekt, är du klar för anslutningen av systemet. Först ska du stänga av strömmen till systemet. Använd högtalarkabeln som medföljer systemet för att utföra anslutningarna. Se illustrationen för vägledning om anslutning av kablarna till satelliterna och mittkanalen för MCS 130.

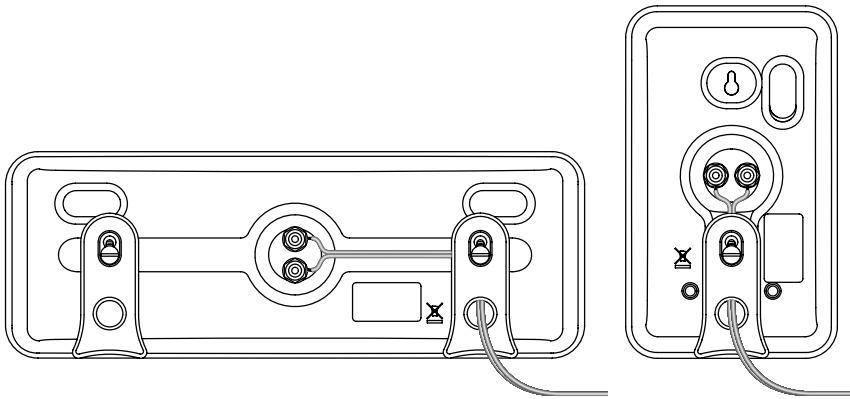
För anslutningen till din mottagare, se mottagarens bruksanvisning.

Viktigt!

För att garantera optimala prestanda, ska du observera polerna då du utför högtalaranslutningarna, som i illustrationen. Anslut varje plusterminal på baksidan av förstärkaren eller mottagaren till motsvarande plusterminal (röd) på varje högtalare. Anslut minusterminalen (svart) på samma sätt. Om anslutningarna inte utförs korrekt, blir basljudet och ljudbilden dålig. Dessutom ska du undvika kortslutningar som kan skada utrustningen. Var försiktig så att de avskalade trådarna inte kommer åt varandra.



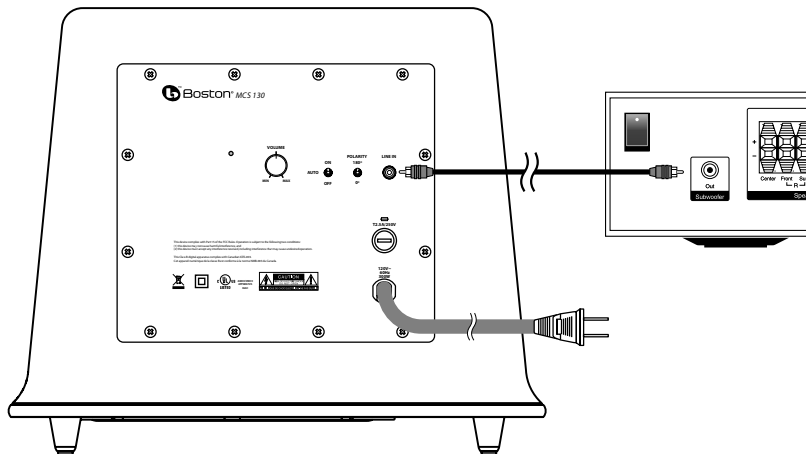
Se till att bibehålla en korrekt polaritet "+" och "-" i alla högtalaranslutningarna.



Högtalarkablarna kan passera genom kanalerna på högtalarens baksida och hålen i fötterna.

Subwoofers anslutningar

Stäng av all ström. Använd subwooferkabeln som medföljer systemet för att ansluta subwoofern till dina subwoofermottagare eller LFE-utgången. Anslut den andra änden till "Line In" på baksidan av subwoofern.



Subwooferkontroller

Ström på/automatisk/standby

Anslut subwoofers AC-kabel till vägguttaget. Vi rekommenderar dig att inte använda uttagen på baksidan av mottagaren. Ställ strömbrytaren i önskat läge.

AV – Subwoofern är avstängd och producerar inget ljud. Du kanske vill stänga av subwoofern om du inte ska använda den länge eller spara elektricitet.

AUTO – Subwoofern sätts på när en signal upptäcks. Om ingen signal upptäcks efter flera minuter, går apparaten automatiskt in i standby-läge.

PÅ – Subwoofern är alltid på.

En LED-indikator bredvid volymkontrollen indikerar vilket läge subwoofern befinner sig i..

AV = Subwoofern är av

RÖD = STANDBY (ingen signal upptäcks, förstärkaren är Av)

GRÖN = PÅ (signalen upptäcks, förstärkaren är på)

Subwoofern går automatiskt in i standbyläget efter flera minuter om ingen signal upptäcks av systemet.

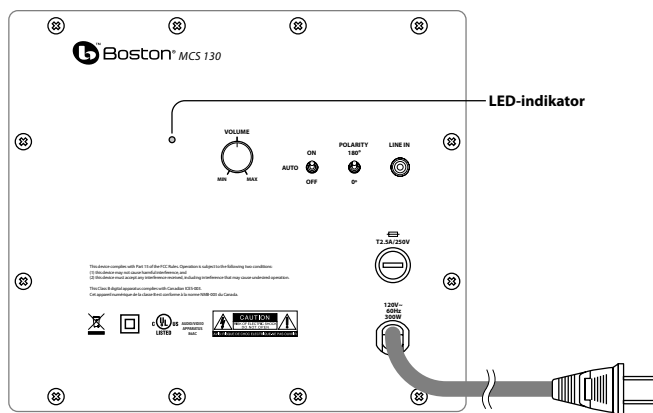
Subwoofer sätts PÅ omedelbart då en signal upptäcks.

Volymkontroll

Börja genom att justera subwoofers volymkontroll till läge för klockan 11. Justera sedan subwoofers volymkontroll tills du hör en motsvarighet mellan volymen i huvudhögtalarna och subwoofern. Idealiskt ska basljudet inte vara förhärskande i rummet utan snarare vara justerat så att en naturlig harmoni hörs över hela musikomfånget.

Polaritetskontroll

Väljer vanlig (0°) eller omvänd (180°) polaritet för subwoofer. Ställ in strömbrytaren i det läge som ger det fylligaste och mest dynamiska basljudet från det primära läget. Effekten av polariteten är mest hörbar med slaginstrument med låg frekvens eller för musik med ett basljud som upprepas och kan inte producera en dramatisk förändring.



Drift

När du använder MCS 100 i ett home theater-system Dolby® Digital eller DTS™, ska du se till att alla högtalare är inställda på "Small". När du använder systemet i ett home theater-system Dolby Pro Logic®, ska du se till att mottagarens läge för centralkanalerna är inställd på "Normal."

Vissa mottagare/processorer som är utrustade med Dolby Digital erbjuder andra inställningsalternativ för varje källa eller surround läge (t.ex. CD stereo, videoband, Dolby Digital, Pro Logic®). I varje fall, ska du följa utrustningens anvisningar för att se till att subwoofers utgång är på och högtalarna är inställda på "Small" i varje läge.

Om din mottagare har en justerbar crossoverinställning, rekommenderar vi att du ställer in subwoofers crossover på 120Hz.

Se din AV-mottagares bruksanvisning för ytterligare råd om systemets funktion.

Underhåll och service

Alla kabelanslutningar bör inspekteras och rengöras och upprepas minst en gång om året.

Om ett problem uppstår, ska du se till att alla anslutningar är korrekt utförda, säkra och rena. Om ett problem uppstår i en av högtalarna, ska du kabla om kabeln på en annan plats i systemet. Om problemet kvarstår i denna högtalare, finns problemet i själva högtalaren. Om din MCS 130 behöver service, ska du kontakta din lokala Boston Acoustics-återförsäljare eller besöka webbplatsen www.Bostona.com för en lista över återförsäljare i ditt område.

Om din subwoofer inte spelar upp ljudet, ska du kontrollera att alla kontakter på kablarna har en korrekt kontakt och att AC-kontakten är ansluten till det strömförande uttaget.

Begränsad garanti

Boston Acoustics ger den ursprunglige köparen av modellen MCS 130 en garanti att systemet är fritt från materiella defekter och fabrikationsfel i dess mekaniska delar för en period på 5 år från och med köpdatumet. Garantiperioden för de elektriska komponenterna i modellen MCS 130 är 1 år.

Det är ditt ansvar att installera och använda dem enligt de medföljande anvisningarna för att garantera en säker transport till en serviceverkstad som auktoriserats av Boston Acoustics och att uppvisa kvittot eller fakturan då du begär service.

Alla skador som uppstår vid en felaktig användning, missbruk, felaktig installation, olyckor, transport eller reparationer/ändringar som utförs av personer som inte arbetar på en serviceverkstad som auktoriserats av Boston Acoustics är uteslutna från denna garanti.

Denna garanti är begränsad till produkten från Boston Acoustics och täcker inte skador på ansluten utrustning. Garantin täcker inte kostnaden för avlägsnande eller återinstallation. Denna garanti annulleras om serienumret avlägsnas eller raderas. Garantin ger dig specifika laga rättigheter och du kan även ha andra rättigheter som varierar från stat till stat.

Om service krävs

Kontakta först återförsäljaren som du köpte produkten av. Om det inte är möjligt, skriv till:

Boston Acoustics, Inc.
300 Jubilee Drive
Peabody, MA 01960 USA

Eller kontakta oss via e-post på adress:

support@bostona.com

Vi kommer omedelbart att informera dig om vilken åtgärd du bör vidta. Om du behöver återlämna din MCS 130 till fabriken, ska du skicka apparaten med i förväg betald frakt. Efter reparationen kommer vi att återlämna den inom Förenta Staterna och Kanada med i förväg betald frakt.



Endast för kunder inom EU

Denna symbol som finns på produkten indikerar att apparaten inte får kastas bort tillsammans med hushållsavfallet. Den måste placeras i en separat container för insamling eller återlämnas till återförsäljaren då du köper en liknande produkt. Tillverkaren har betalt för denna apparats återvinning eftersom det bidrar till återanvändning och återvinning, minskar de negativa effekterna på miljön och människan och gör så att man undviker eventuella böter för en felaktig avhändning.

Boston Acoustics försöker kontinuerligt att uppdatera och förbättra de egna produkterna. Specifikationerna och konstruktionsdetaljerna kan komma att ändras utan förvarning.

Wichtige Sicherheitshinweise



Dieses Symbol auf dem Gerät weist auf gefährliche Stromspannungen hin



Dieses Symbol auf dem Gerät weist darauf hin, dass der Anwender alle Sicherheitshinweise dieser Anleitung lesen sollte.



Dieses Symbol auf dem Gerät weist auf doppelte Isolierung hin.

1. Lesen Sie diese Anleitung
2. Verwahren Sie diese Anleitung
3. Beachten Sie alle Warnungen
4. Folgen Sie allen Anweisungen
5. Verwenden Sie dieses Gerät nicht in der Nähe von Wasser
6. Reinigen Sie es nur mit einem trockenen Tuch
7. Blockieren Sie keine Belüftungsöffnungen. Installieren Sie es nach den Anweisungen des Herstellers.
8. Installieren Sie es nicht in der Nähe von Wärmequellen wie Heizkörpern, Herdplatten oder anderen Geräten (einschließlich Verstärkern), die Wärme abgeben.
9. Missachten Sie nicht den Sicherheitszweck codierter oder erdbarer Stecker. Ein codierte Stecker hat zwei verschieden breite Pole. Ein erdbarer Stecker hat zwei Pole und einen dritten Stift, der zur Erdung dient. Dieser dient Ihrer Sicherheit. Falls der gelieferte Stecker nicht in Ihre Steckdose passt, lassen Sie die Steckdose durch einen Elektriker austauschen.
10. Treten Sie nicht auf das Netzkabel und knicken Sie es nicht, insbesondere nicht in der Nähe des Steckers, von Mehrfachsteckdosen und am Gehäuseaustritt.
11. Verwenden Sie nur vom Hersteller empfohlene Verlängerungen und anderes Zubehör.
12. Trennen Sie das Gerät vom Stromnetz bei Gewitter oder längerer Nichtbenutzung.
13. Wartungsarbeiten sollten nur von qualifiziertem Personal durchgeführt werden. Eine Wertung ist erforderlich, wenn das Gerät in irgendeiner Weise beschädigt wurde, falls beispielsweise ein Netzkabel oder Stecker beschädigt wurde, Flüssigkeit in das Gerät eingedrungen ist oder Objekte in das Gerät gefallen sind, das Gerät Regen oder Feuchtigkeit ausgesetzt war, nicht normal funktioniert oder zu Boden gefallen ist.
14. Achten Sie auf einen minimalen Abstand des Gerätes zu anderen Gegenständen und Wänden von 5 Zentimetern, um eine ausreichende Belüftung zu gewährleisten. Die Belüftung darf nicht durch Abdeckung der Belüftungsöffnungen durch Gegenstände wie Zeitungen, Tüchern Vorhängen etc beeinträchtigt werden.
15. Es sollten keine offenen Feuerquellen wie angezündete Kerzen auf das Gerät gestellt werden.
16. Das Gerät sollte keinem Spritzwasser ausgesetzt werden. Keine mit Flüssigkeit gefüllten Objekte wie Vasen sollten auf das Gerät gestellt werden.
17. Die Stromeingangsbuchse oder die Wandsteckdose des Gerätes sollten zugänglich bleiben, damit das Gerät vom Stromnetz getrennt werden kann.



WARNUNG! Zur Vermeidung von Bränden oder elektrischer Stromschläge setzen Sie das Gerät keinem Regen oder Feuchtigkeit aus.



Dieses Symbol weist darauf hin, dass das Gerät nicht mit dem Hausmüll entsorgt werden darf, sondern einer Sammelstelle für Elektronikschrott zugeführt werden muss.

18. Um das Gerät vollständig vom Stromnetz zu trennen, ziehen Sie den Netzstecker des Netzteils aus der Steckdose.
19. Der Stecker der Hauptleitung des Netzteils bleibt betriebsfähig.



Anwender in den USA:

Hinweis: Diese Geräte sind geprüft und entsprechen den Beschränkungen für digitale Geräte der Klasse B gemäß Teil 15 des FCC Regelwerks. Diese Beschränkungen sind so ausgelegt, dass sie einen vernünftigen Schutz gegen schädliche Interferenzen bei der Installation in einer Wohnumgebung sicher stellen. Diese Geräte erzeugen, verwenden und senden energiereiche Funkfrequenzen, und falls sie nicht der Anleitung entsprechend installiert und benutzt werden, können störende Interferenzen beim Betrieb von Funkanlagen auftreten. Es gibt jedoch keinerlei Garantie, dass bei einer spezifischen Installation keine Interferenzen auftreten. Falls diese Geräte den Radio- oder Fernsehempfang stören, was durch Ein- und Ausschalten der Geräte festgestellt werden kann, wird empfohlen, eine oder mehrere der folgenden Maßnahmen durchzuführen, um die Interferenzen zu beseitigen:

- Richten Sie die Empfangsantenne neu aus oder verändern Sie deren Standort.
- Vergrößern Sie den Abstand zwischen den Geräten und dem betroffenen Empfänger.
- Schließen Sie die Geräte an einen anderen Stromkreis an, der von dem, an den der Empfänger angeschlossen ist, getrennt ist.
- Ziehen Sie Ihren Händler oder einen erfahrenen Radio-/Fernsehtechniker zu Rate.



Anwender in Kanada

Dieses digitale Gerät der Klasse B digital erfüllt die kanadischen ICES-003 Normen.

Cet appareil numérique de classe B est conforme à la norme NMB-003 du Canada.

Spezifikationen	LCR Lautsprecher	Surround Lautsprecher	Aktiver Basslautsprecher
Frequenzbereich:	110Hz – 20kHz	120Hz – 20kHz	40 - 150Hz
Empfohlene Verstärkerleistung:	10 – 150 watts	10 – 150 watts	—
Empfindlichkeit:	88dB [2.8v bei 1m Abstand]	88dB [2.8v bei 1m Abstand]	—
Nominalimpedanz:	8 ohms	8 ohms	—
Übergangsfrequenz:	2,700Hz	2,700Hz	
Verstärkerausgangsleistung	—	—	200 Watt, BassTrac® Schaltenschema verhindert Verzerrung
Basslautsprecher:	—	—	10" (254mm) DCD
Mitteltöner:	Dual 3 1/2" (89mm) copolymer DCD mit Phasensteckern & MagnaGuard®	3 1/2" (89mm) copolymer DCD mit Phasensteckern & MagnaGuard	—
Hochtöner:	1" (25mm) Kortec® Soft Dome	1" (25mm) Kortec Soft Dome	—
Abmessungen (H x W x D)	13 7/8 x 5 x 4 1/16" (352 x 127 x 103mm)	8 7/16 x 5 1/2 x 4" (214 x 140 x 102mm)	13 3/4 x 16 1/2 x 16 1/2" (349 x 419 x 419mm)
Gewicht	5 lbs (2.27kg)	3 lbs (1.36kg)	31 1/4 lbs (14.15kg)

MCS 130 Einführung

Vielen Dank für den Kauf dieses Boston Acoustics Multikanal Lautsprechersystems. Diese Lautsprecher enthalten hochwertige Komponenten, die den berühmten Boston Sound erzeugen. Das MCS 130 ist ideal als 5.1 Kanal Lösung in einem qualitativ hochwertigen Home Theater oder Musiksystem. Das MCS 130 ist vollständig und enthält alles, was Sie für ein typisches Lautsprechersystem benötigen, einschließlich Lautsprecherkabel, LCR Lautsprecher (links, mitte und rechts) und einem Basslautsprecher. Auf der Website Bostonacoustics.com finden Sie Informationen zur Aufstellung Ihrer Lautsprecher.

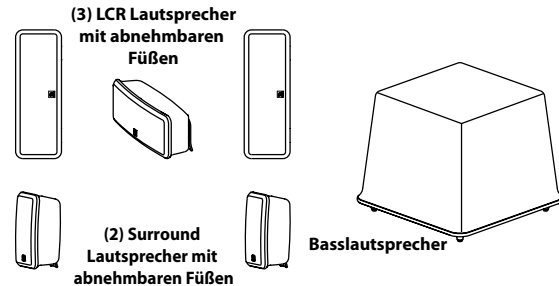
Das MCS 130 Lautsprechersystem bietet einen außergewöhnlich detaillierten On-Screen Dialog, Musik, Effekte und einen raumfüllenden Bass und all das aus einem kleinen, handlichen Paket. Kompakte Treiberplatzierung und Qualität sowie systemspezifische Übergänge sorgen für gleichmäßige Klangverteilung im gesamten Zuhörerraum. Außerdem verfügen alle Lautsprecher über die Magnetfeldabschirmung MagnaGuard®, die sicher stellt, dass die Magnetfelder der Lautsprecher das Fernsehbild nicht stören.

Auspacken des Systems

Packen Sie das System vorsichtig aus. Sollten Sie Anzeichen eines Transportschadens feststellen, wenden Sie sich unverzüglich an den Händler und/oder Lieferservice. Bewahren Sie den Frachtkarton und das Verpackungsmaterial zur späteren Wiederverwendung auf.

Öffnen Sie das Paket und überprüfen Sie folgenden Inhalt:

- (3) LCR Lautsprecher**
- (2) Surround Lautsprecher**
- (1) Basslautsprecher**
- (2) 40' (12m) Lautsprecherkabel**
- (3) 15' (4.6m) Lautsprecherkabel**
- (1) 15' (4.6m) Basslautsprecherkabel**
- (2) Füße (zum horizontalen Gebrauch der LCR Lautsprecher)**
- (4) Gummifüße (zur Wandbefestigung)**



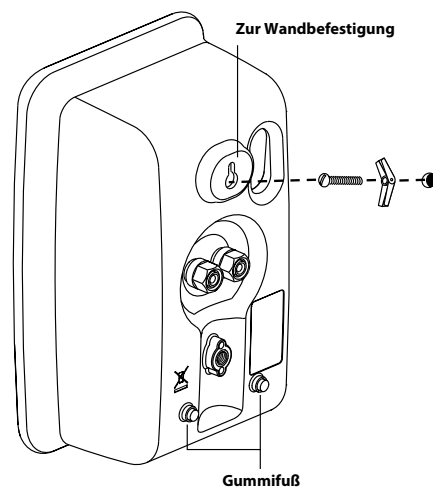
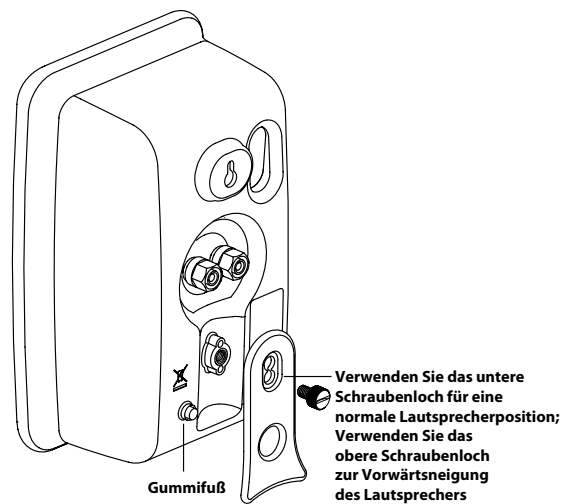
Aufstellungsoptionen

Die MCS 130 LCR- und die Surround Lautsprecher können einfach auf eine tischähnliche Oberfläche gestellt oder an der Wand angebracht werden. Wenn Sie das System auspacken, sind die Lautsprecher zum Aufstellen konfiguriert. Zwei der LCR Lautsprecher verfügen über einen Fuß, der für einen aufrechten Stand in vertikaler Position sorgt. Der andere LCR Lautsprecher verfügt über zwei Füße, damit er in horizontaler Position als zentraler Lautsprecher verwendet werden kann. Es gibt 2 Lochkombinationen an jedem Fuß; Wenn Sie das obere der beiden Löcher verwenden, stehen die Lautsprecher leicht nach vorn geneigt. Dies empfiehlt sich für die Aufstellung der Lautsprecher auf einem hohen Regal. Wenn die Füße von der Rückseite der Lautsprecher abmontiert werden, können diese einfach an der Wand angebracht werden.

Die MCS 130 LCR Surround Lautsprecher sind mittels der an deren Rückseite befindlichen Löcher für die einfache Befestigung an einer Wand geeignet. Bei Wandbefestigung verwenden Sie bitte die mitgelieferten Gummifüße. Bevor Sie die Lautsprecher an der Wand befestigen können, müssen Sie den angebrachten Fuß abmontieren. Lösen Sie dazu die Flügelschraube von der Rückseite des Fußes. Verwenden Sie dazu einen Schraubendreher oder eine Münze.

Die Wandbefestigung ist ähnlich der des Aufhängens eines Bildes. Drehen Sie eine #8 Schraube in die Wand, und stellen Sie sicher, dass diese einen festen Halt bietet. Verwenden Sie gegebenenfalls Dübel bzw. Spreizdübel, die das Gewicht des Lautsprechers tragen können. Es ist ratsam, das Lautsprecherkabel anzuschließen, bevor der Lautsprecher an der Wand befestigt wird.

HINWEIS: Aufgrund der Vielfalt möglicher Wandarten, an denen die Lautsprecher befestigt werden können, können wir keine Befestigung mitliefern, die allen Möglichkeiten gerecht würde. Besorgen Sie sich daher bitte die für Ihre Wand passende Befestigung. Falls Sie nicht sicher sind, welche Art Befestigung Sie verwenden sollten, beschreiben Sie dem Verkäufer die Wand, an der die Lautsprecher befestigt werden sollen und bitten Sie ihn um eine Empfehlung. Berücksichtigen Sie das Gewicht der Lautsprecher.



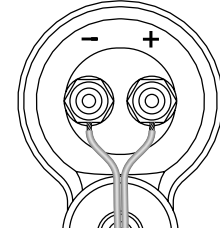
Lautsprecherverkabelung

Nachdem die Lautsprecher Ihren Wünschen entsprechend angeordnet sind, können Sie nun Ihr System verkabeln. Schalten Sie Ihr System zuerst aus. Verwenden Sie zur Verkabelung die mitgelieferten Lautsprecherkabel. Bitte beachten Sie die Illustration, die Ihnen zeigt, wie die Kabel an die MCS 130 Satelliten und den Mittelkanal angeschlossen werden.

Der Anschluss an Ihren Receiver ist in dessen Gebrauchsanleitung beschrieben.

Wichtig!

Um die beste Leistung sicherzustellen, beachten Sie bitte die Polarität bei den Lautsprecheranschlüssen, wie in der Abbildung gezeigt. Verbinden Sie den jeweiligen Plus-Pol (+) an der Rückseite des Receivers mit dem entsprechenden + Pol der Lautsprecher. Schließen Sie die (schwarzen) Minus-Pole (-) in derselben Weise an. Werden die Anschlüsse nicht korrekt verbunden, kann es zu schwacher Bass-Wiedergabe und einem insgesamt eingeschränkten Klangbild kommen. Um Kurzschlüsse zu vermeiden, die Ihre System beschädigen könnten, achten Sie darauf, dass sich freie Kabelenden nicht berühren.



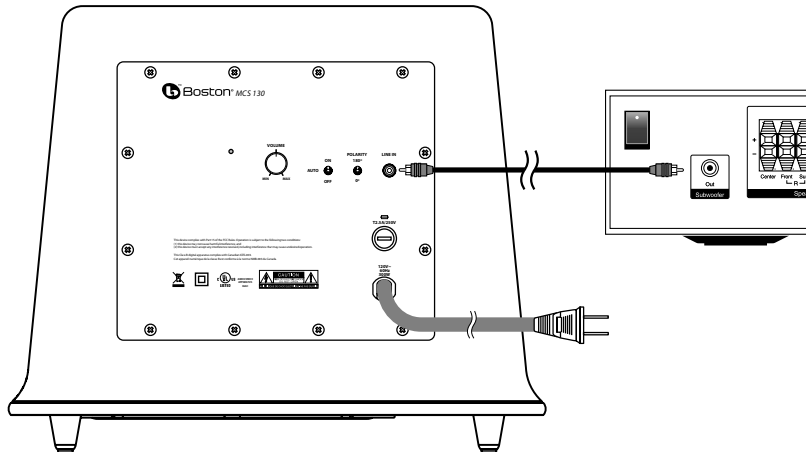
Achten Sie auf korrekte + und - Polarität bei allen Lautsprecheranschlüssen



Die Lautsprecherkabel können durch die Kabeldurchführungen und die Löcher in den Füßen an der Rückseite des Lautspechers geführt werden.

Basslautsprecheranschluss

Schalten Sie Ihr System aus. Verwenden Sie zum Anschluss des Basslautspechers das mitgelieferte Basslautsprecherkabel. Schließen Sie es an den Basslautsprecheranschluss (Subwoofer) oder den LFE Ausgang Ihres Receivers an. Schließen Sie das andere Ende an den "Line in" Anschluss an der Rückseite des Basslautspechers an.



Basslautsprecher Einstellungen

Ein/Auto/Standby

Stecken Sie den Netzstecker des Basslautsprechers in eine Netzsteckdose. Es wird nicht empfohlen, die an der Rückseite des Receivers befindlichen Netzanschlüsse zu verwenden. Der Basslautsprecher verfügt über eine automatische Einschalt/Standby Funktion. Ein LED Indikator neben dem Lautstärkereglern zeigt den Betriebszustand des Basslautsprechers an.

AUS – Der Basslautsprecher ist ausgeschaltet. Sie möchten Ihren Basslautsprecher vielleicht ausschalten, wenn Sie ihn eine gewisse Zeit nicht benutzen oder um Strom zu sparen.

AUTO – Der Basslautsprecher schaltet sich ein, wenn ein Signal festgestellt wird. Wird mehrere Minuten lang kein Signal festgestellt, schaltet er automatisch in den Standby Modus.

AN – Der Basslautsprecher ist ständig eingeschaltet.

Eine LED Anzeige neben dem Lautstärkereglern zeigt an, in welchem Modus sich der Basslautsprecher befindet.

AUS = Der Basslautsprecher ist ausgeschaltet.

ROT = STANDBY (Es wird kein Signal festgestellt, Verstärker ist ausgeschaltet)

GRÜN = EIN (Es wird ein Signal festgestellt, Verstärker ist eingeschaltet)

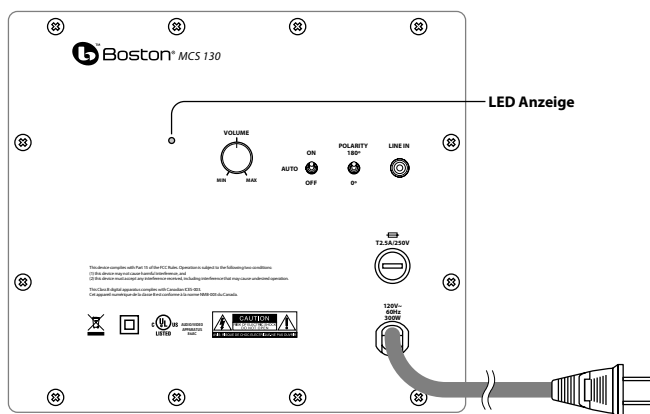
Der Basslautsprecher schaltet automatisch in den Standby Modus, wenn mehrere Minuten lang kein von Ihrem System kommendes Signal festgestellt wird. Der Basslautsprecher schaltet sich sofort ein, wenn ein Signal festgestellt wird.

Lautstärkeregelung

Beginnen Sie mit der Stellung des Lautstärkereglers in der 11 Uhr Position. Regeln sie nun die Lautstärke des Basslautsprechers, bis die Lautstärke der Hauptlautsprecher und des Basslautsprechers übereinstimmen. Idealerweise sollten die Bässe nicht dominieren, sondern so eingestellt sein, dass sich ein natürliches Klangbild ergibt.

Polaritätskontrolle

Stellt normale (0°) oder umgekehrte (180°) Polarität für den Basslautsprecher ein. Bringen Sie den Schalter in die Position, in der Sie den dynamischsten Bass an Ihrer bevorzugten Sitzposition hören können. Der Effekt der Polarität ist am besten bei tieffrequenten Schlaginstrumenten zu hören, oder bei Musik mit einer sich ständig wiederholenden Bassbegleitung und muss nicht unbedingt zu einer sehr großen Veränderung des Klangbildes führen.



Betrieb

Falls Sie die MCS 130 mit einem Dolby® Digital oder DTS™ Home Theater System verwenden, stellen Sie sicher, dass alle Lautsprecher auf "Klein" eingestellt sind. Falls Sie das System mit einem Dolby Pro Logic® Home Theater System verwenden, stellen Sie sicher, dass der Mitteltonkanal Modus des Receivers auf "Normal" eingestellt ist.

Manche Receiver/Prozessoren bieten verschiedene Setup Optionen für jede Quelle oder Surround Modus. (z.B., CD-Stereo, Videoband, Dolby Digital, Pro Logic®). Folgen Sie in jedem Fall der Anleitung Ihres Systems um zu gewährleisten, dass der Basslautsprecherausgang eingeschaltet ist und dass die Lautsprecher in jeder Betriebsart auf "Klein" eingestellt sind.

Falls Ihr Receiver über Übergangseinstellungen verfügt, empfehlen wir, die Basslautsprecherübergangsfrequenz auf 120 Hz einzustellen.

Ziehen Sie für weitere Empfehlungen zum Betrieb die Bedienungsanleitung Ihres AV Receivers zu Rate.

Wartung und Kundendienst

Alle Kabelverbindungen sollten mindestens einmal im Jahr überprüft und gegebenenfalls erneuert werden.

Falls ein Problem auftritt, überprüfen sie, ob alle Kabel korrekt angeschlossen sind. Falls ein Problem mit einem der Lautsprecher auftritt, verkabeln Sie ihn an einem anderen Standort innerhalb des Systems. Sollte das Problem fortbestehen, liegt es am Lautsprecher. Funktioniert der Lautsprecher am neuen Standort einwandfrei, so ist dies ein Anzeichen für ein Problem mit der Elektronik des Systems. Für den Fall, dass Ihr MCS 100 eine Wartung benötigt, wenden Sie sich an Ihren örtlichen Boston Acoustics Händler oder besuchen Sie <http://www.bostona.com>, wo Sie eine

Falls Ihr Basslautsprecher nicht funktioniert, überprüfen Sie, ob alle Kabelverbindungen wirklich Kontakt herstellen und dass der Netzstecker in einer funktionierenden Netzsteckdose steckt.

Eingeschränkte Garantie

Boston Acoustics garantiert dem Erstkäufer unseres MCS 130 Systems für einen Zeitraum von 5 Jahren ab Kaufdatum, dass diese frei sind von Materialfehlern und Verarbeitungsmängeln. Die Garantiezeit für die elektrischen Komponenten der MCS 130 beträgt 1 Jahr.

Ihre Verantwortung besteht darin, sie entsprechend der beigefügten Anleitung zu installieren und zu betreiben, sie sicher bei einer autorisierten Boston Acoustics Service-Vertretung anzuliefern und den Kauf durch Vorlage des Verkaufsbelegs nachzuweisen, falls Garantieleistungen in Anspruch genommen werden.

Von dieser Garantie ausgeschlossen sind Schäden, die auf Missbrauch, unsachgemäße Installation, Unfall, Fracht oder Reparaturen/Modifikationen zurückzuführen sind, die von jemand anderem als einer autorisierten Boston Acoustics Service-Vertretung durchgeführt wurden.

Diese Garantie ist auf das Boston Acoustics Produkt beschränkt und erstreckt sich nicht auf etwaige damit verbundene Anlagen. Diese Garantie erstreckt sich nicht auf die Kosten für Beseitigung oder Neuinstallation. Die Garantie ist verwirkt, falls die Seriennummer entfernt oder unleserlich ist. Diese Garantie räumt Ihnen besondere legale Rechte ein, und Sie haben unter Umständen weitere Rechte, die von Staat zu Staat variieren.

Falls ein Kundendienst notwendig scheint

Nehmen Sie zuerst Kontakt mit dem Händler auf, bei dem Sie das Produkt gekauft haben. Falls das nicht möglich ist, schreiben Sie an:

Boston Acoustics, Inc.
300 Jubilee Drive
Peabody, MA 01960 USA

Oder kontaktieren Sie uns per e-Mail unter:
support@bostona.com

Wir werden Ihnen schnellstens mitteilen, wie Sie weiter vorgehen sollten. Falls es notwendig sein sollte, Ihre SoundWare Lautsprecher an den Hersteller einzusenden, so versenden Sie sie bitte frei. Nach Reparatur werden wir sie in den USA und Kanada ebenfalls frei zurück senden.



Nur für Kunden in der EU

Dieses auf dem Produkt angebrachte Symbol weist darauf hin, dass das Produkt nicht mit dem Hausmüll entsorgt werden darf. Es muss bei einer Sammelstelle für Elektronikschrott abgegeben oder dem Händler übergeben werden, wenn ein ähnliches Produkt erworben wird. Der Hersteller hat für das Recycling dieses Produktes bezahlt. Dies trägt zur Wiederverwertung und zum Recycling bei minimiert schädliche Auswirkungen auf die Umwelt und die menschliche Gesundheit und vermeidet Geldbußen für unsachgemäße Entsorgung.

Boston Acoustics ist ständig bestrebt, seine Produkte zu aktualisieren und zu verbessern. Spezifikationen und Konstruktionsdetails können ohne vorherige Ankündigung geändert werden.



300 Jubilee Drive, Peabody, MA 01960 USA
www.bostonacoustics.com

© 2007 Boston Acoustics, Inc. Boston, Boston Acoustics, Kortec, BassTrac, and MagnaGuard are registered trademarks and the B/A ellipse symbol are trademarks of Boston Acoustics, Inc. Specifications are subject to change without notice. © 2007 Boston Acoustics, Inc. 142-002702-1